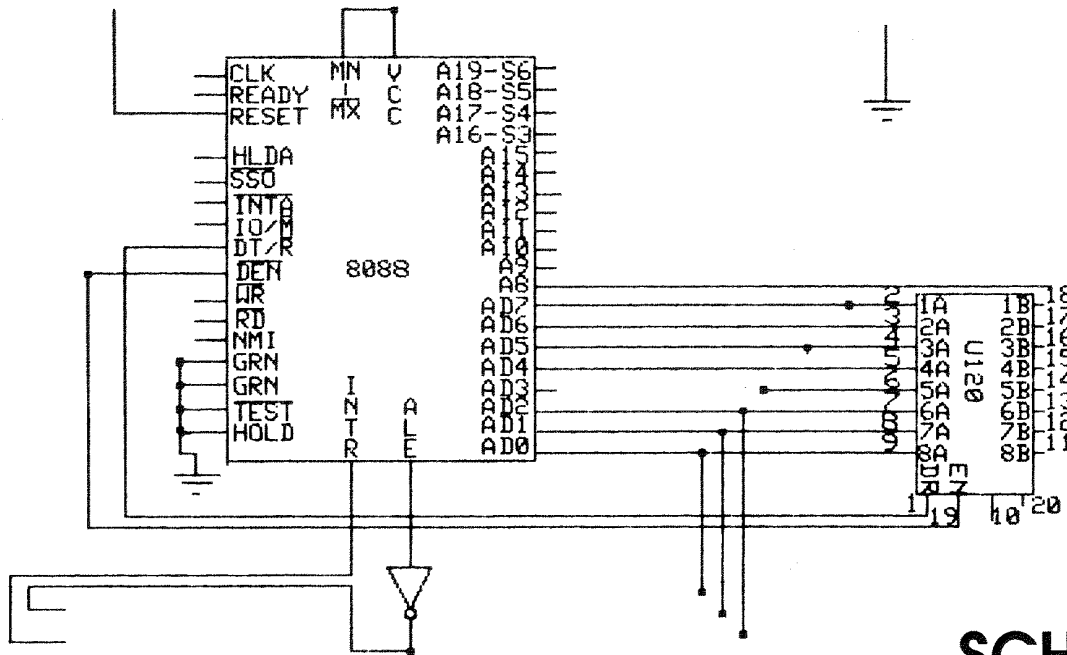
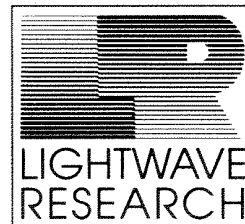


color pro



SCHEMATIC DRAWINGS



REV. 2
COPYRIGHT 1989

2209 WEST BRAKER LANE • AUSTIN, TEXAS 78758

Table of Contents

1.	Schematic Key	1
2.	CP6 Peripherals Board	2 -7
3.	CP5 CPU Board	8 - 12
4.	CP4 I/O Board	13 - 20
5.	CP2 Front Panel Board	21 - 24
6.	CP1 Fixture Board V3.3	25 - 34

SCHEMATIC KEY

ALL RESISTORS 5 % TOLERANCE UNLESS OTHERWISE NOTED

RPAK -- RESISTOR PACKAGE

SIP -- SINGLE INLINE RESISTOR PACKAGE

MOL1, MOL2 -- MULTI-PIN PLUGS

BEATL -- SIGNAL FOR THE AUDIO BEAT LED

PG -- PAGE

SEC -- TRANSFORMER SECONDARY

J -- JACK (FEMALE CONNECTOR)

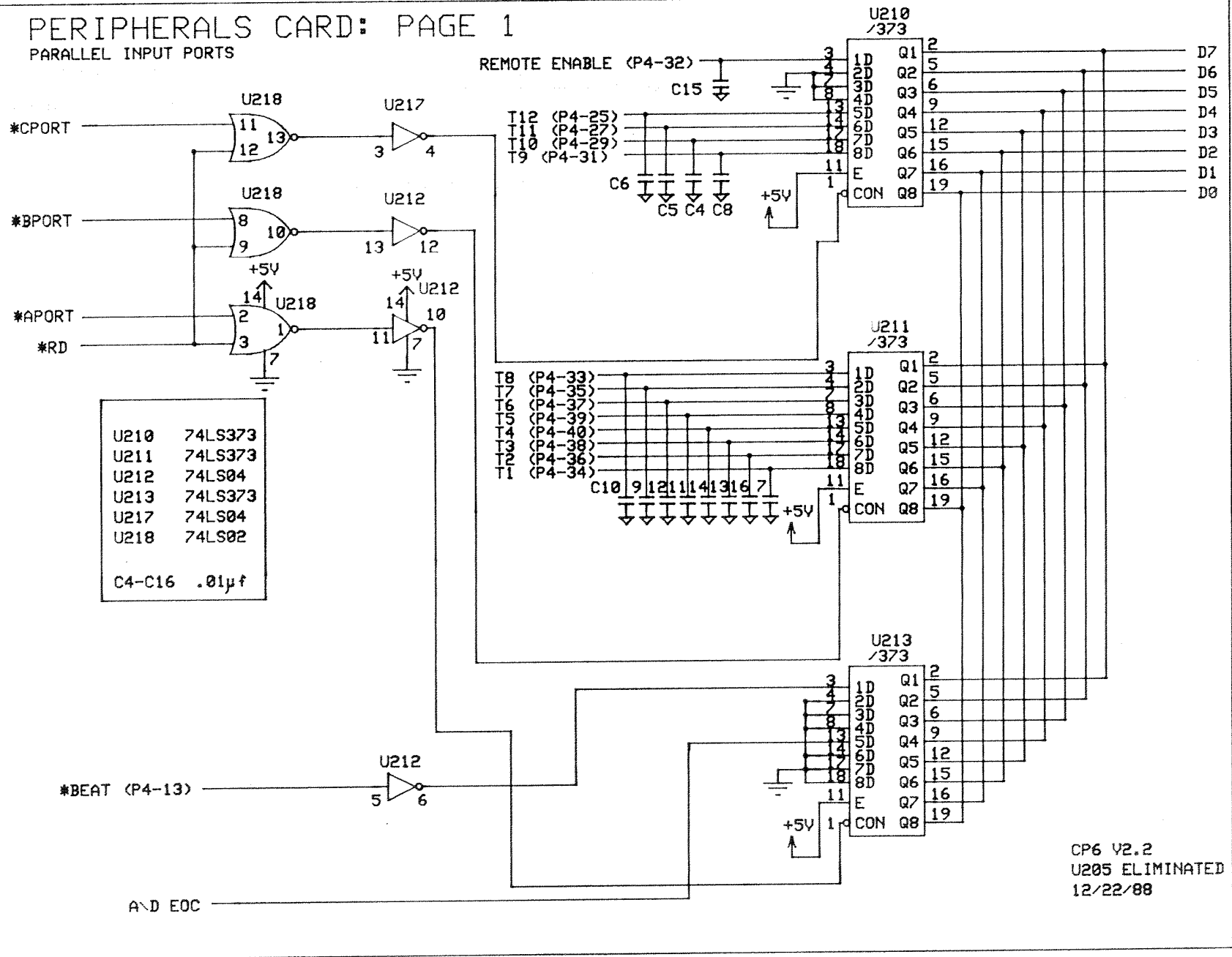
P -- PLUG (MALE CONNECTOR)

T1 ON FIXTURE BOARD IS RATED 115/230VAC PRIMARY, 8/16VAC SECONDARY AT 1.1VA

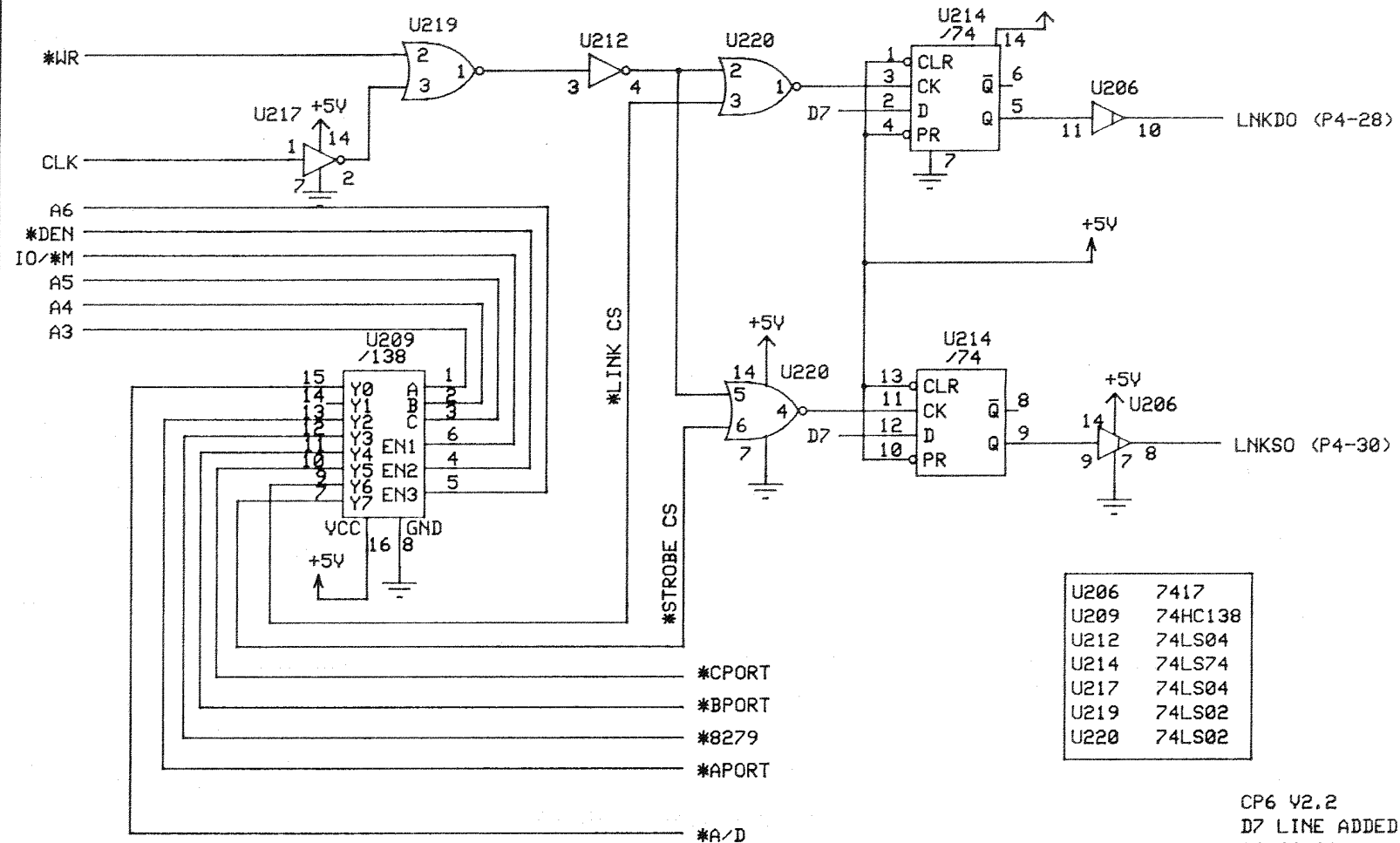
T1 ON I/O BOARD IS RATED 115/230VAC PRIMARY, 8/16VAC SECONDARY AT 20VA

PERIPHERALS CARD: PAGE 1

PARALLEL INPUT PORTS



PERIPHERALS CARD: PAGE 2
 CHIP SELECTS AND DATA LINK

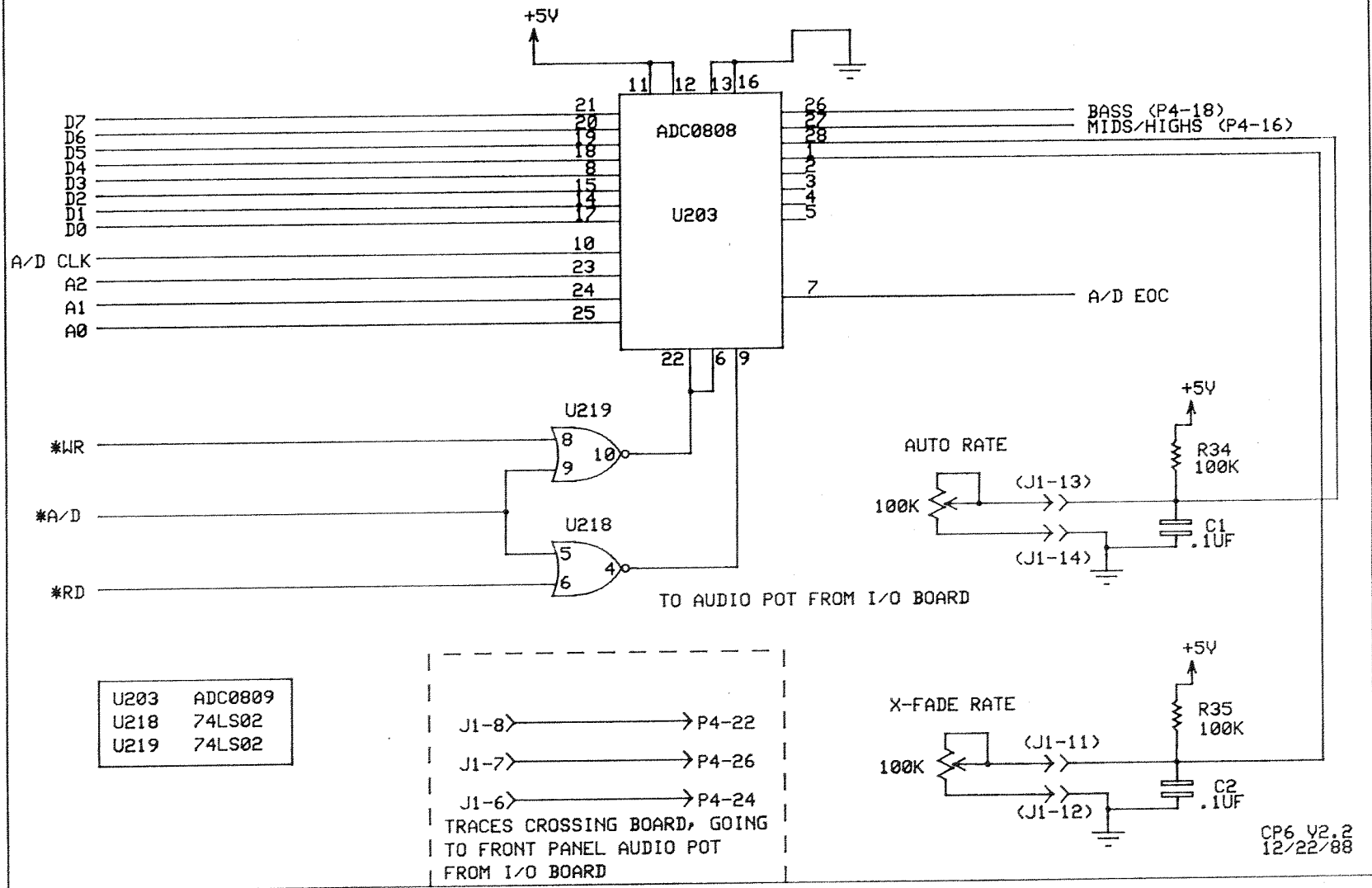


U206	7417
U209	74HC138
U212	74LS04
U214	74LS74
U217	74LS04
U219	74LS02
U220	74LS02

CP6 V2.2
 D7 LINE ADDED
 12/22/88

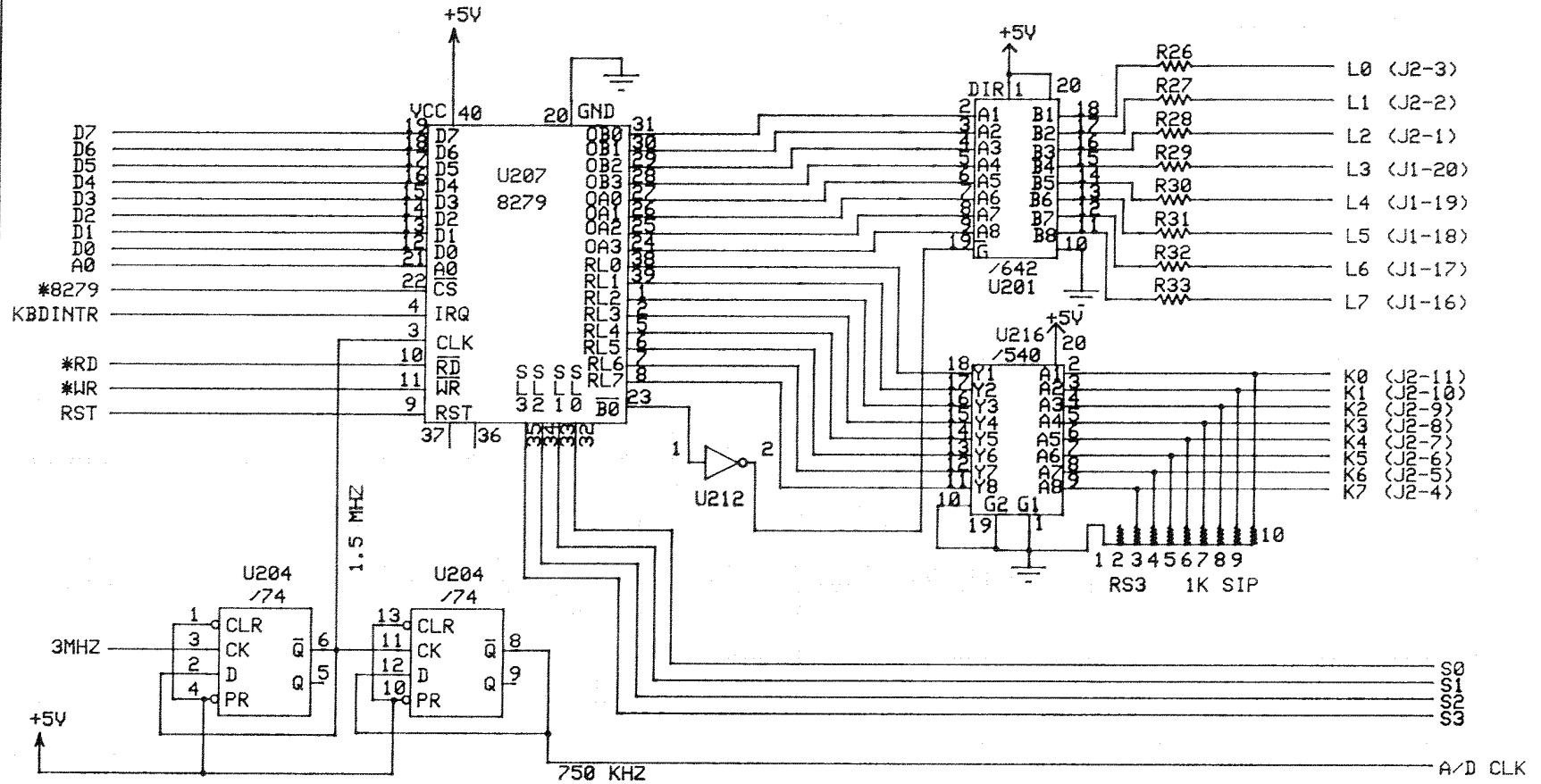
PERIPHERALS CARD: PAGE 3

A/D CONVERTER



PERIPHERALS CARD: PAGE 4
KEYBOARD AND LED CONTROLLER

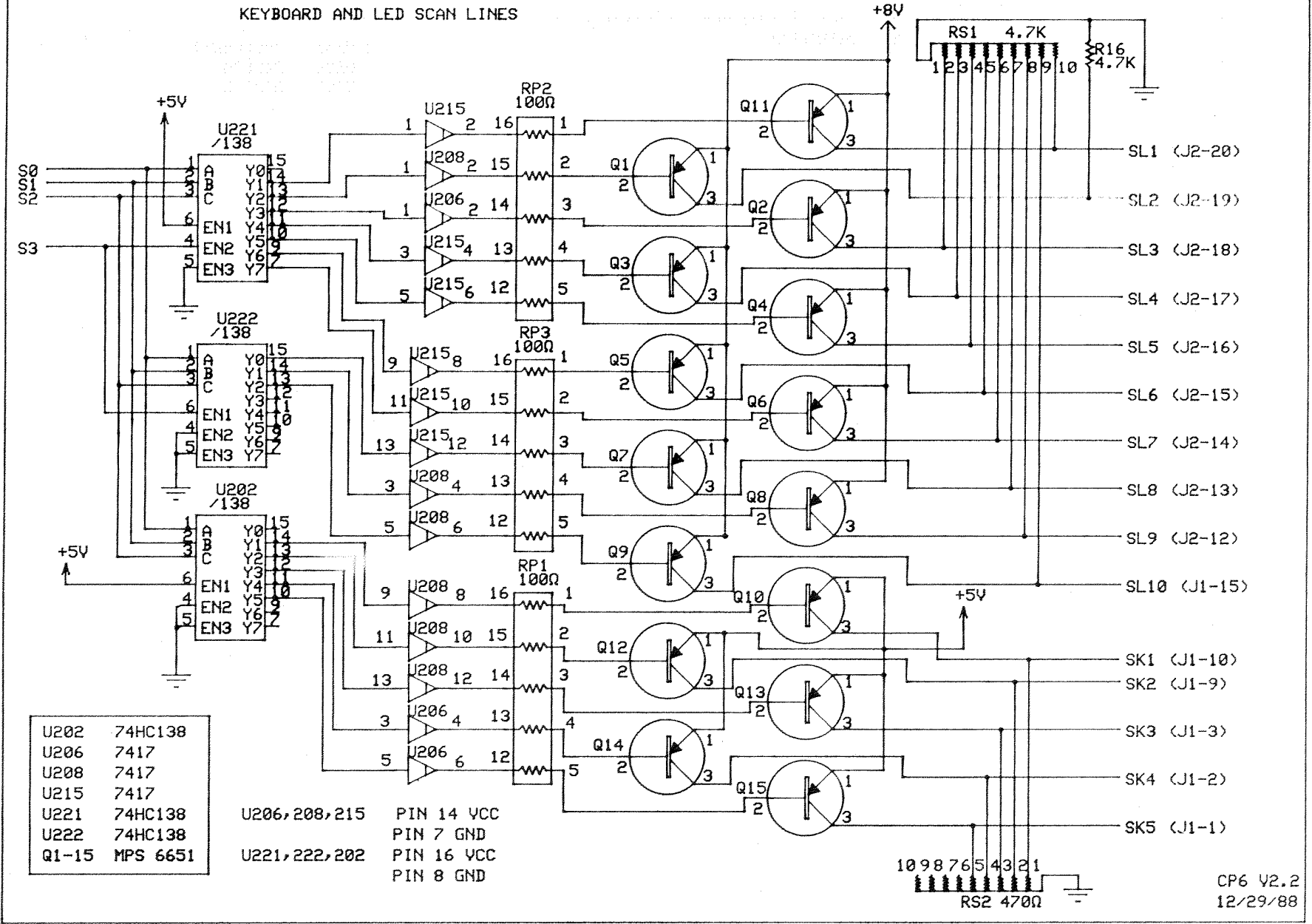
U201	74LS642-1
U204	74LS74
U207	8279-5
U212	74LS04
U216	74LS540
R26 - R33	16 OHM 1/2 WATT



CP6 V2.2
12/22/88

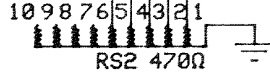
PERIPHERALS CARD: PAGE 5

KEYBOARD AND LED SCAN LINES



U202	74HC138
U206	7417
U208	7417
U215	7417
U221	74HC138
U222	74HC138
Q1-15	MPS 6651

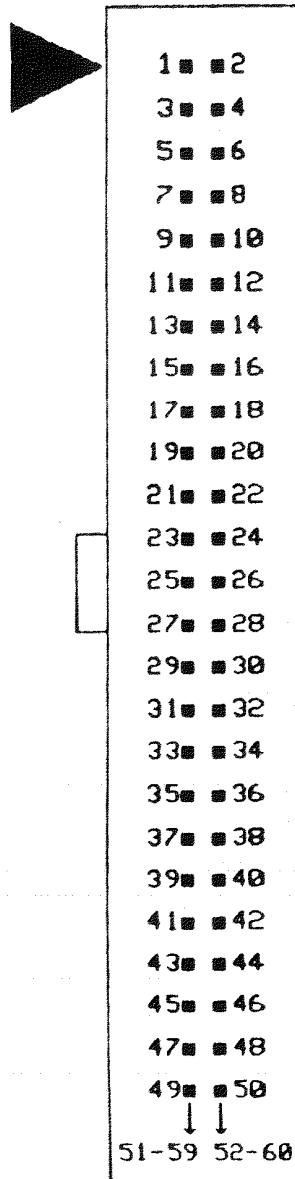
U206, 208, 215 PIN 14 VCC
 PIN 7 GND
 U221, 222, 202 PIN 16 VCC
 PIN 8 GND



CP6 V2.2
 12/29/88

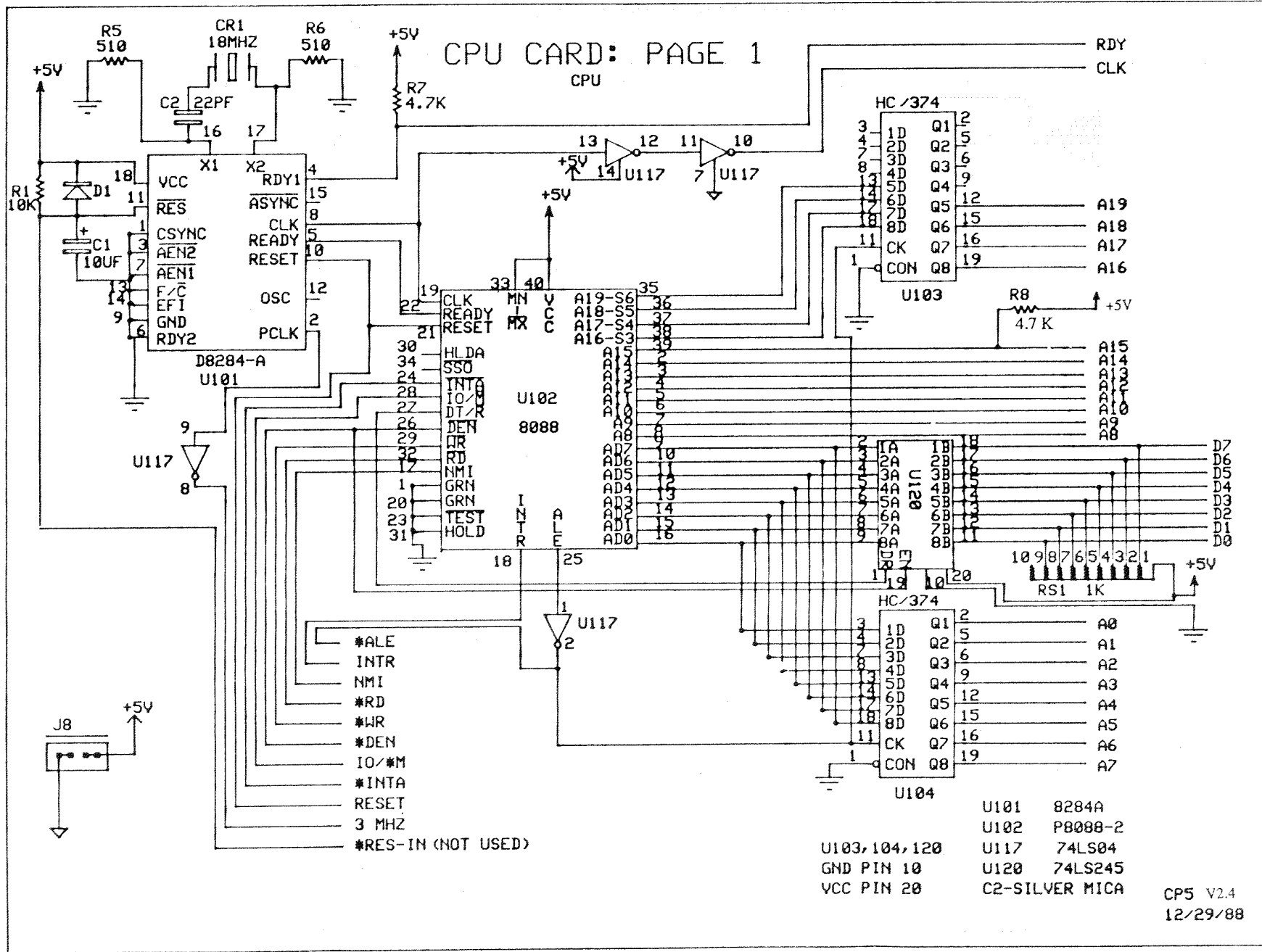
PERIPHERALS CARD: PAGE 6

INTERBOARD CONNECTOR PINOUT P5



1 - D0	2 - D1
3 - D2	4 - D3
5 - D4	6 - D5
7 - D6	8 - D7
9 - A0	10 - A1
11 - A2	12 - A3
13 - A4	14 - A5
15 - A6	16 - A7
17 - A8	18 - A9
19 - A10	20 - A11
21 - A12	22 - A13
23 - A14	24 - A15
25 - A16	26 - A17
27 - A18	28 - A19
29 - KBD INTR	30 - ALE
31 - #RD	32 - #WR
33 - #IO/M	34 - #DEN
35 - INTR	36 - INTA
37 - 3MHZ	38 - RESET
39 - #RES	40 - READY
41 - CLK	42 - RXD
43 - TXD	44 - PFAIL
45 - GND	46 - +5V
47 - GND	48 - +5V
49 - GND	50 - +5V
51-59 GND	52-60 +5V

CPU CARD: PAGE 1



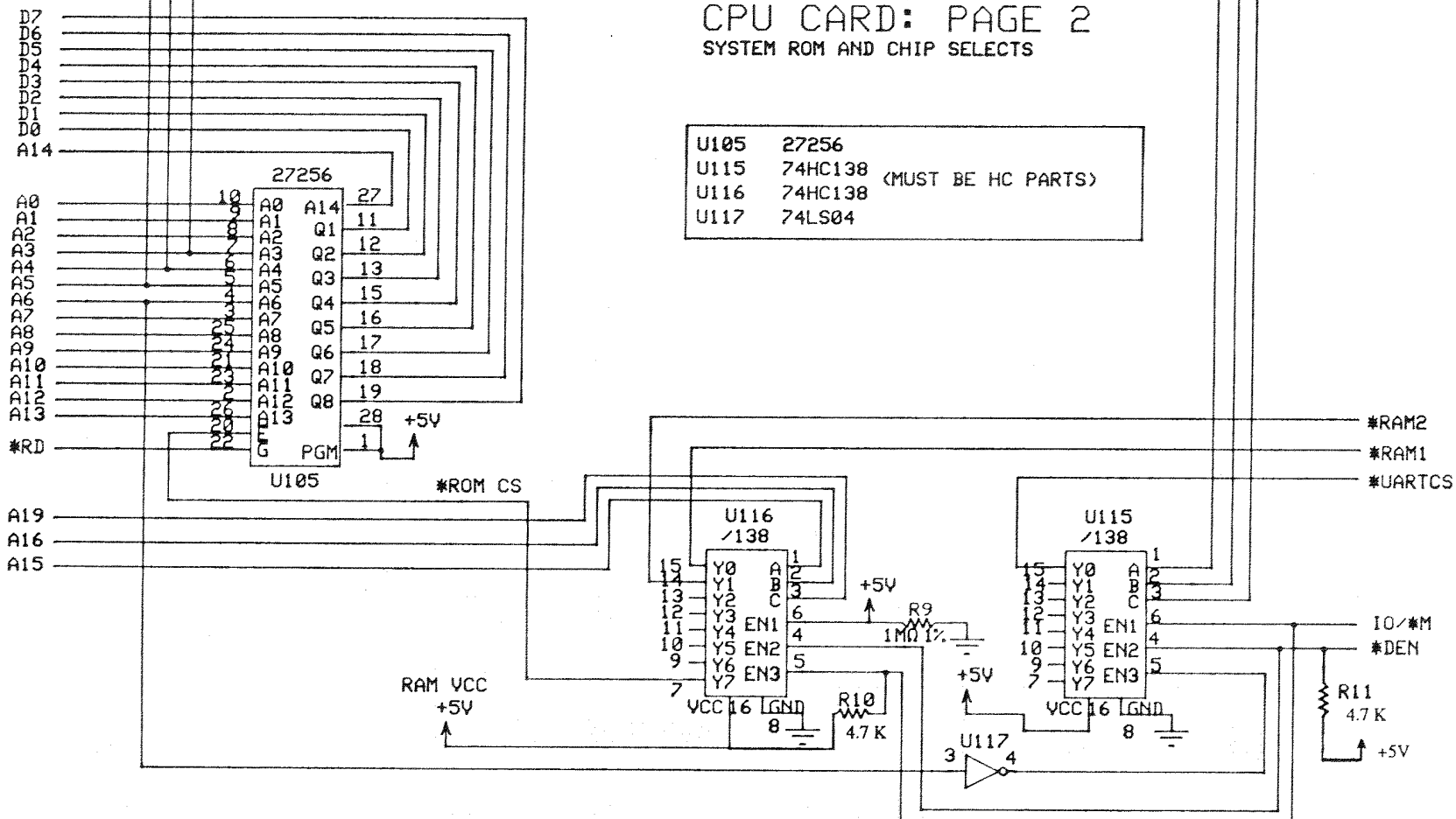
- U101 8284A
- U102 P8088-2
- U103, 104, 120
- U117 74LS04
- U120 74LS245
- GND PIN 10
- VCC PIN 20
- C2-SILVER MICA

CP5 V2.4
12/29/88

CPU CARD: PAGE 2

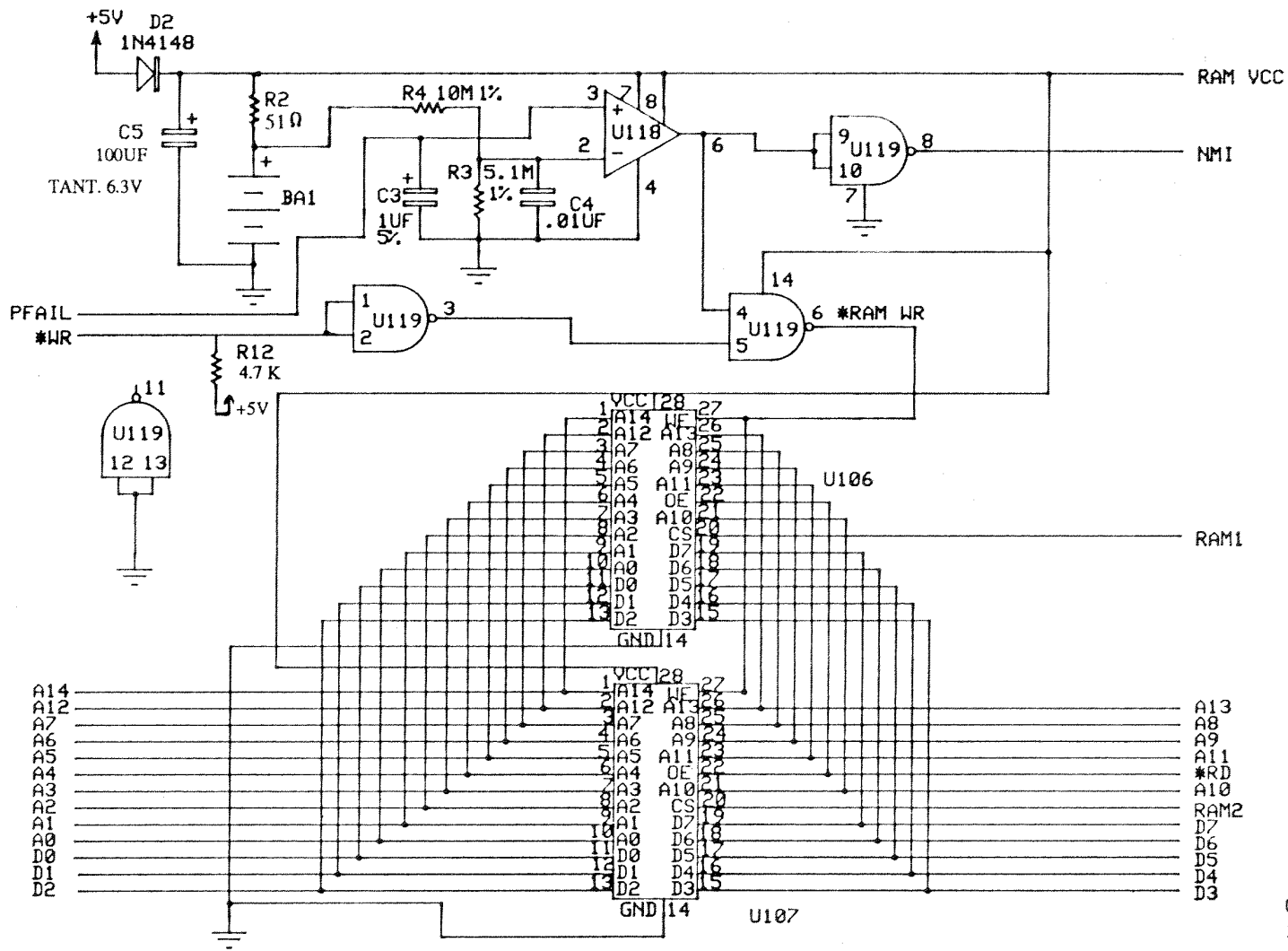
SYSTEM ROM AND CHIP SELECTS

U105	27256
U115	74HC138 (MUST BE HC PARTS)
U116	74HC138
U117	74LS04



CPU CARD: PAGE 3
SYSTEM MEMORY AND SYSTEM SHUTDOWN

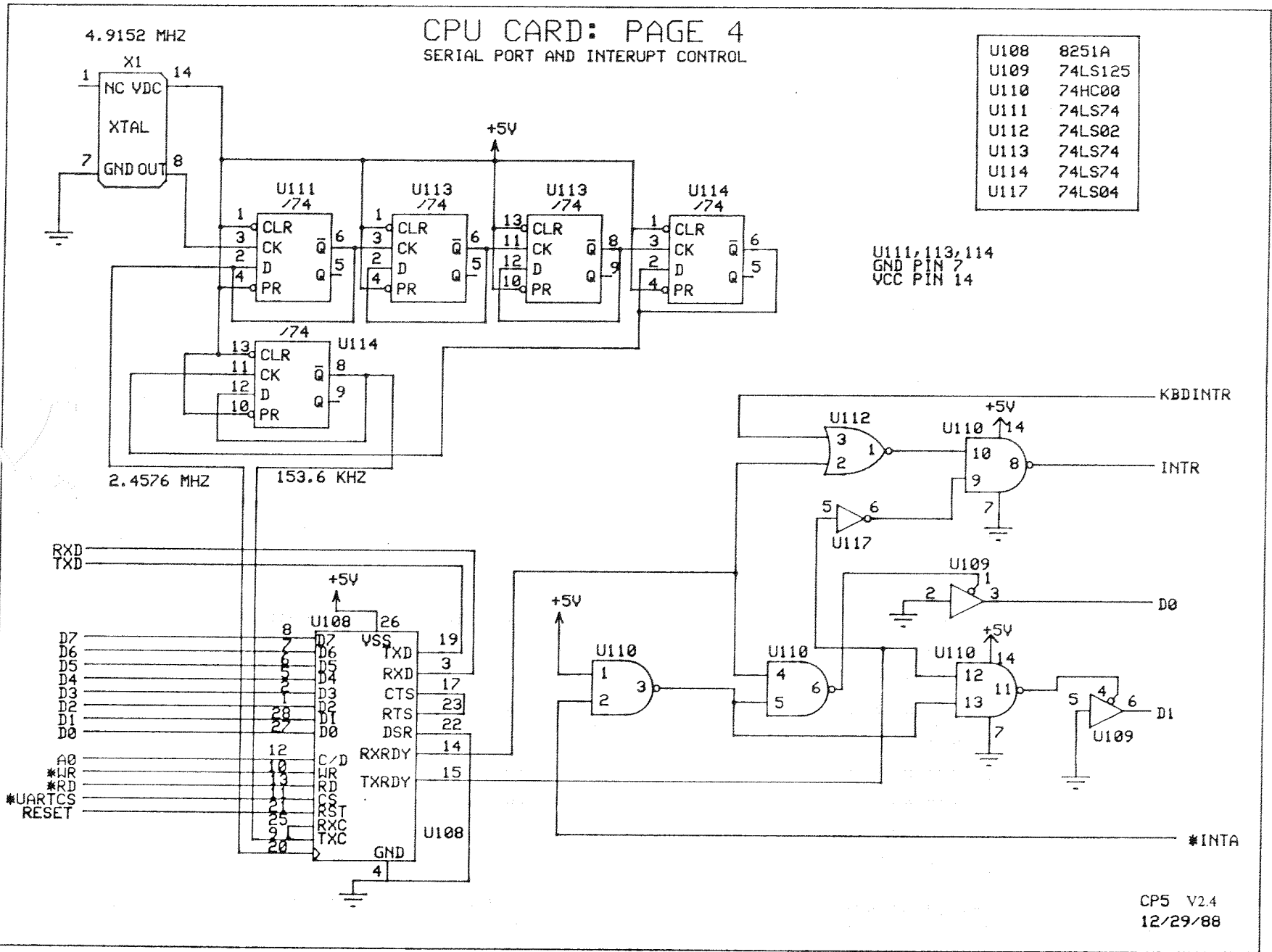
U106	HM62256LP-12
U107	HM62256LP-12
U118	ICL7611
U119	74HC00 (MUST BE AN HC PART)



CP5 V2.4
12/29/88

CPU CARD: PAGE 4
SERIAL PORT AND INTERRUPT CONTROL

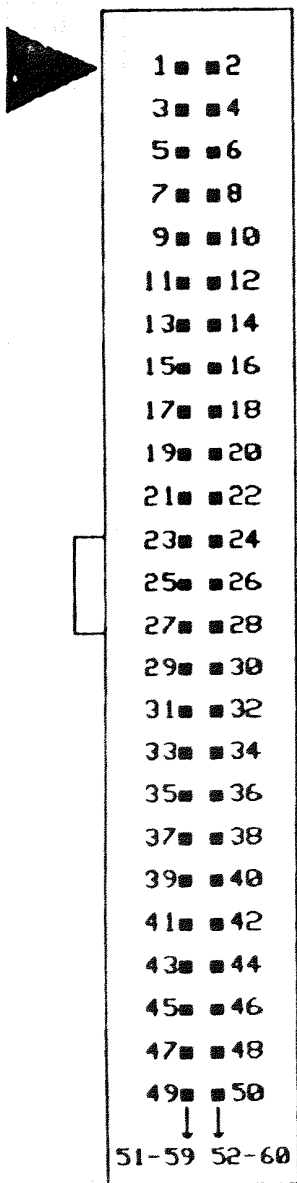
U108	8251A
U109	74LS125
U110	74HC00
U111	74LS74
U112	74LS02
U113	74LS74
U114	74LS74
U117	74LS04



CP5 V2.4
12/29/88

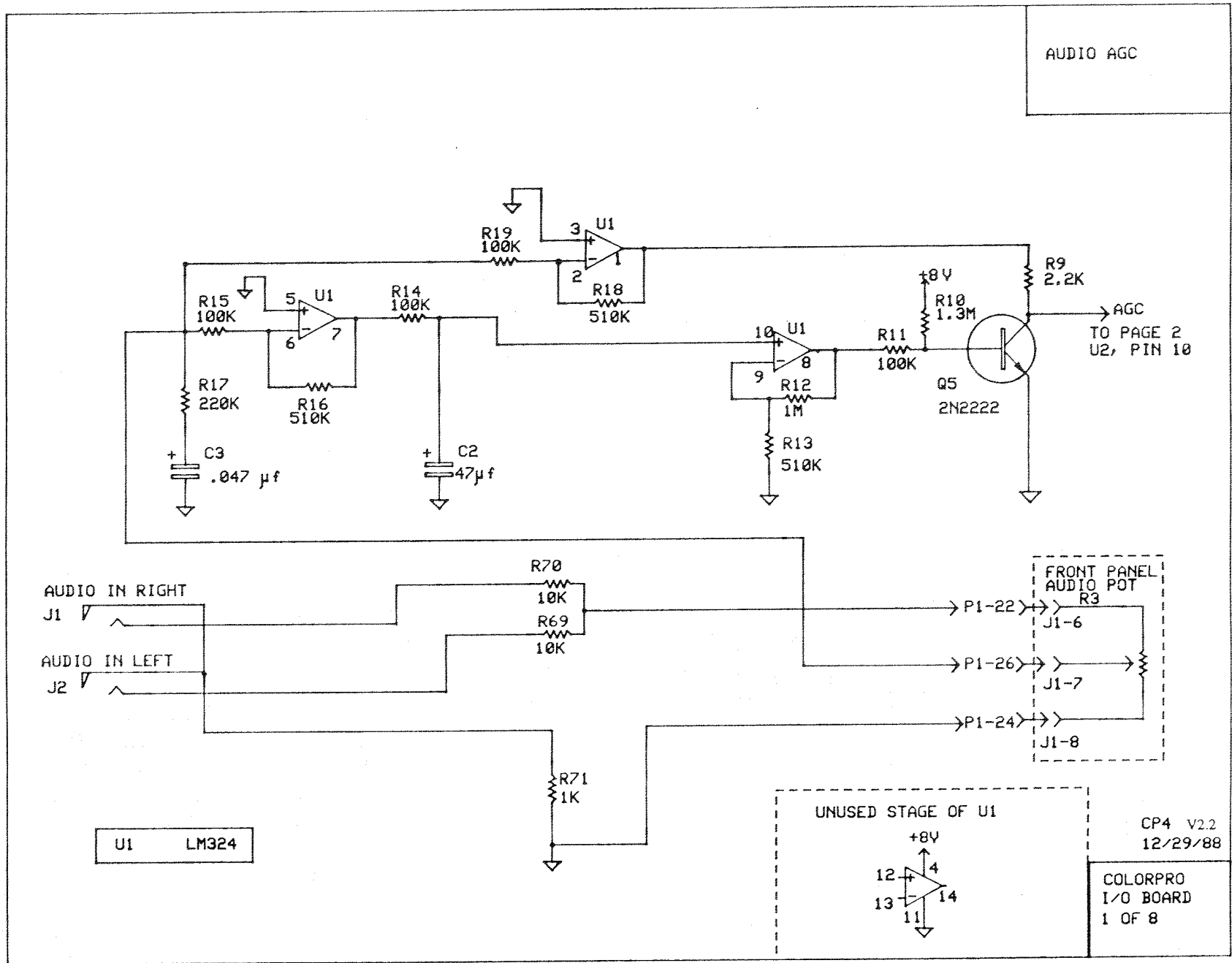
CPU CARD: PAGE 5

INTERBOARD CONNECTOR PINOUT P6

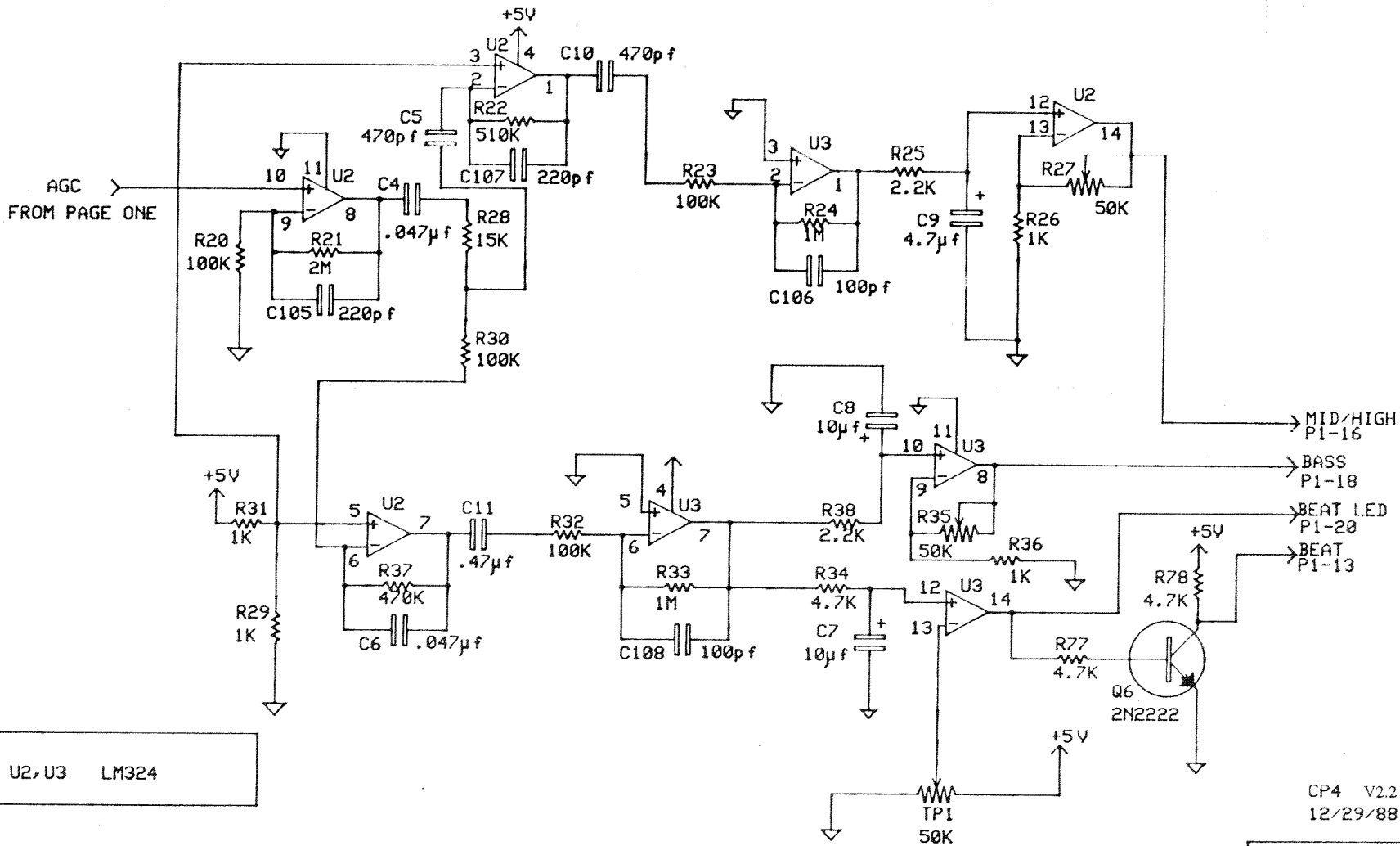


1 ■ 2
 3 ■ 4
 5 ■ 6
 7 ■ 8
 9 ■ 10
 11 ■ 12
 13 ■ 14
 15 ■ 16
 17 ■ 18
 19 ■ 20
 21 ■ 22
 23 ■ 24
 25 ■ 26
 27 ■ 28
 29 ■ 30
 31 ■ 32
 33 ■ 34
 35 ■ 36
 37 ■ 38
 39 ■ 40
 41 ■ 42
 43 ■ 44
 45 ■ 46
 47 ■ 48
 49 ■ 50
 ↓ ↓
 51-59 52-60

1-D0	2-D1
3-D2	4-D3
5-D4	6-D5
7-D6	8-D7
9-A0	10-A1
11-A2	12-A3
13-A4	14-A5
15-A6	16-A7
17-A8	18-A9
19-A10	20-A11
21-A12	22-A13
23-A14	24-A15
25-A16	26-A17
27-A18	28-A19
29-KBDINTR	30-ALE
31-#RD	32-#WR
33-#IO/M	34-#DEN
35-INTR	36-INTA
37-3MHZ	38-RESET
39-#RES	40-READY
41-CLK	42-RXD
43-TXD	44-PFAIL
45-GND	46-+5V
47-GND	48-+5V
49-GND	50-+5V
51-59 GND	52-60 +5V



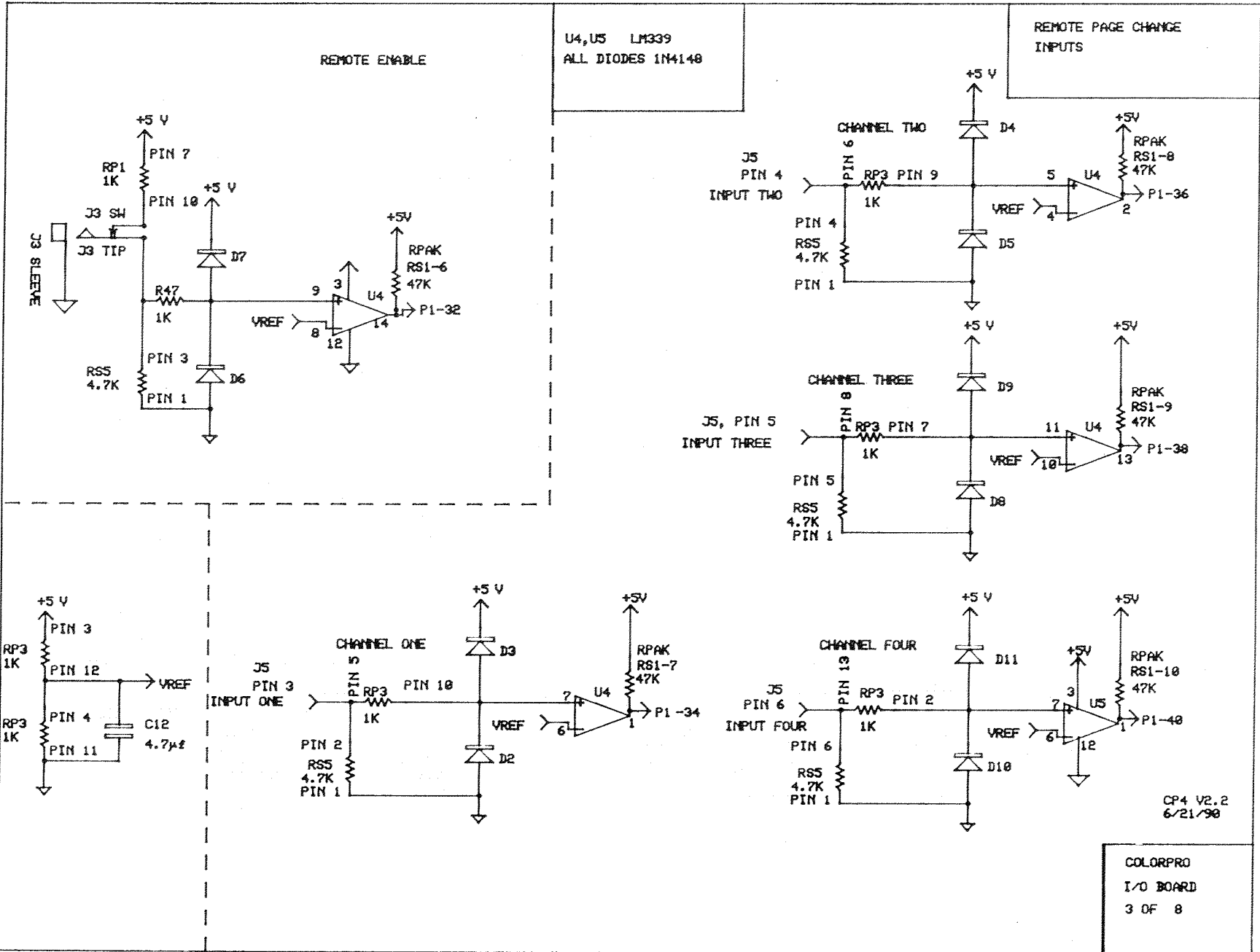
AUDIO FILTERS
AND OUTPUT



U2, U3 LM324

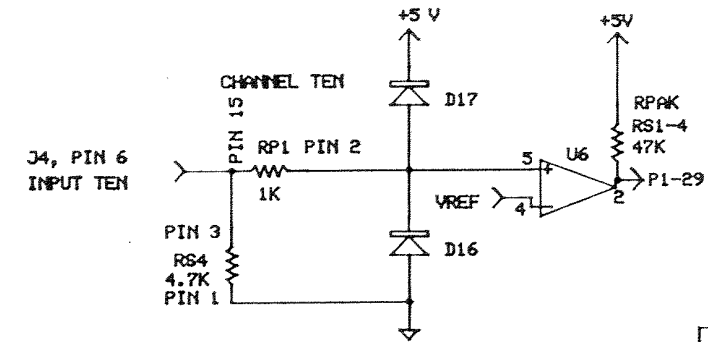
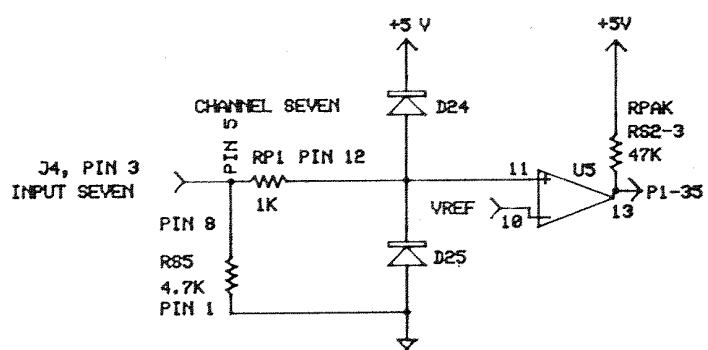
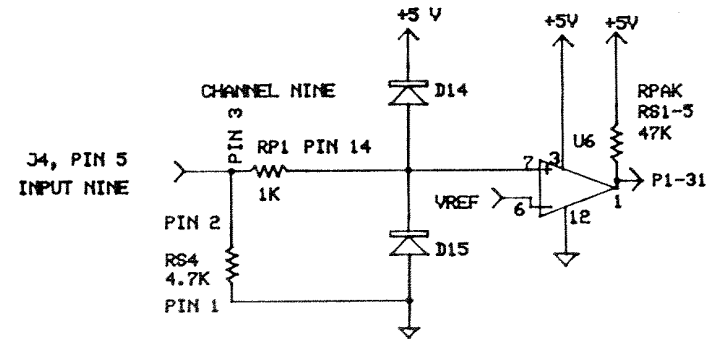
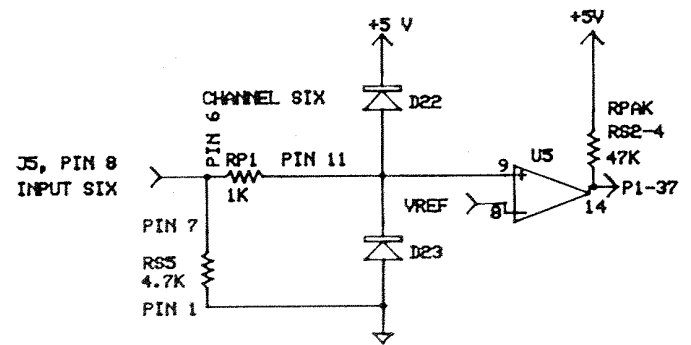
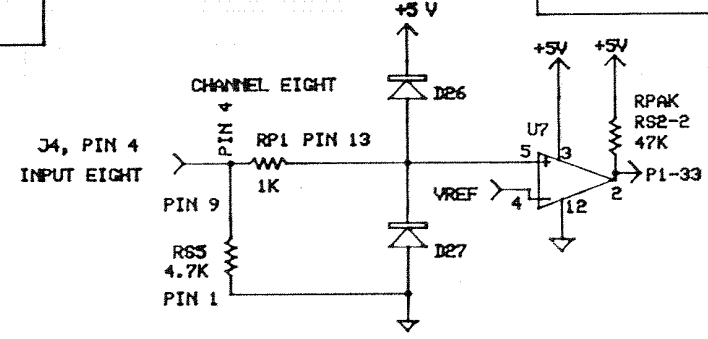
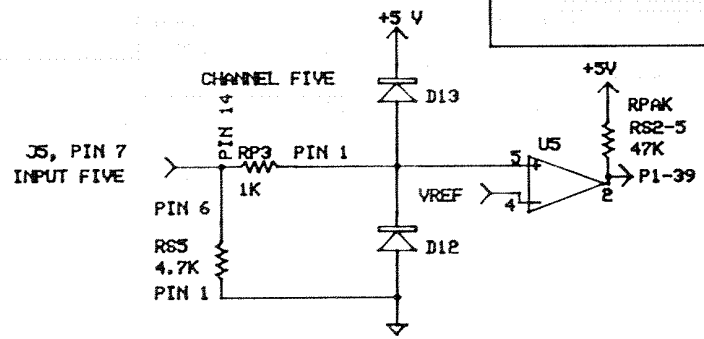
CP4 V2.2
12/29/88

COLORPRO
I/O BOARD
2 OF 8



U5,U6,U7 LM339
ALL DIODES 1N4148

REMOTE PAGE CHANGE
INPUTS

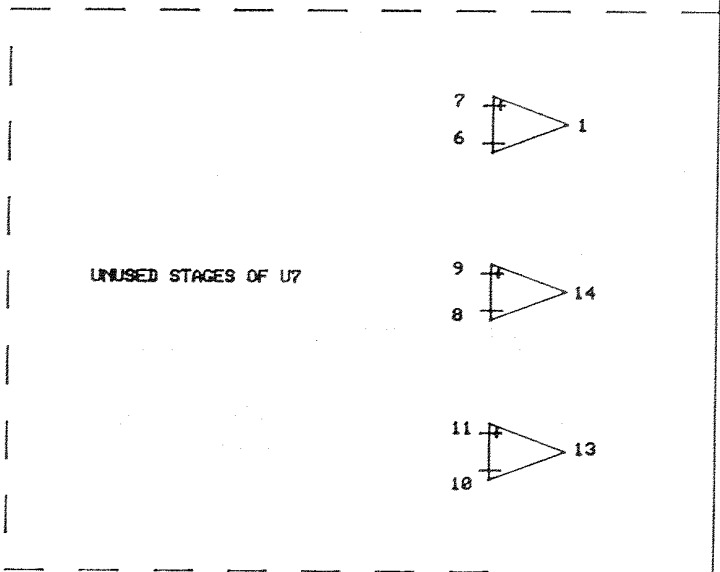
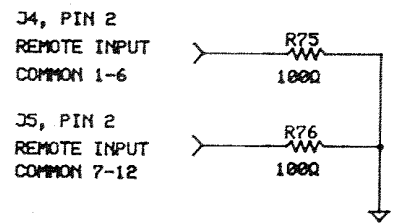
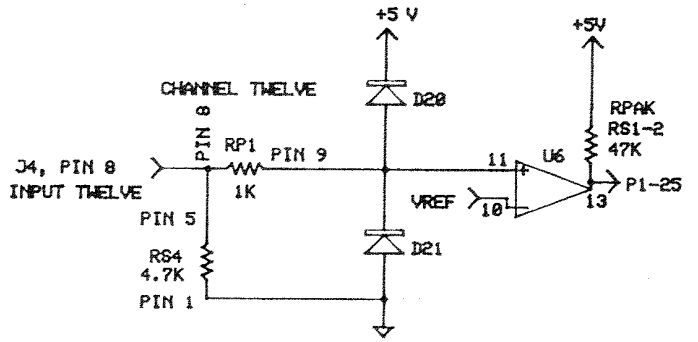
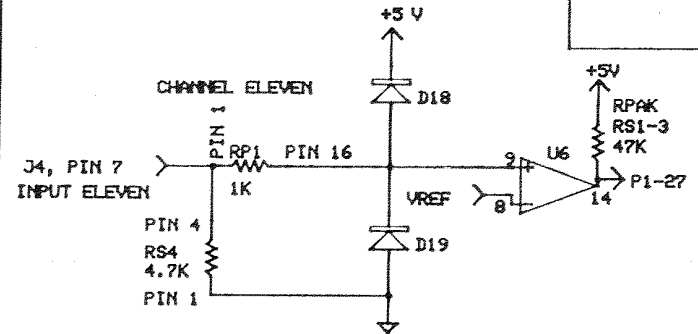


CP4V2.2
6/21/98

COLORPRO
I/O BOARD
4 OF 8

REMOTE PAGE CHANGE
INPUTS

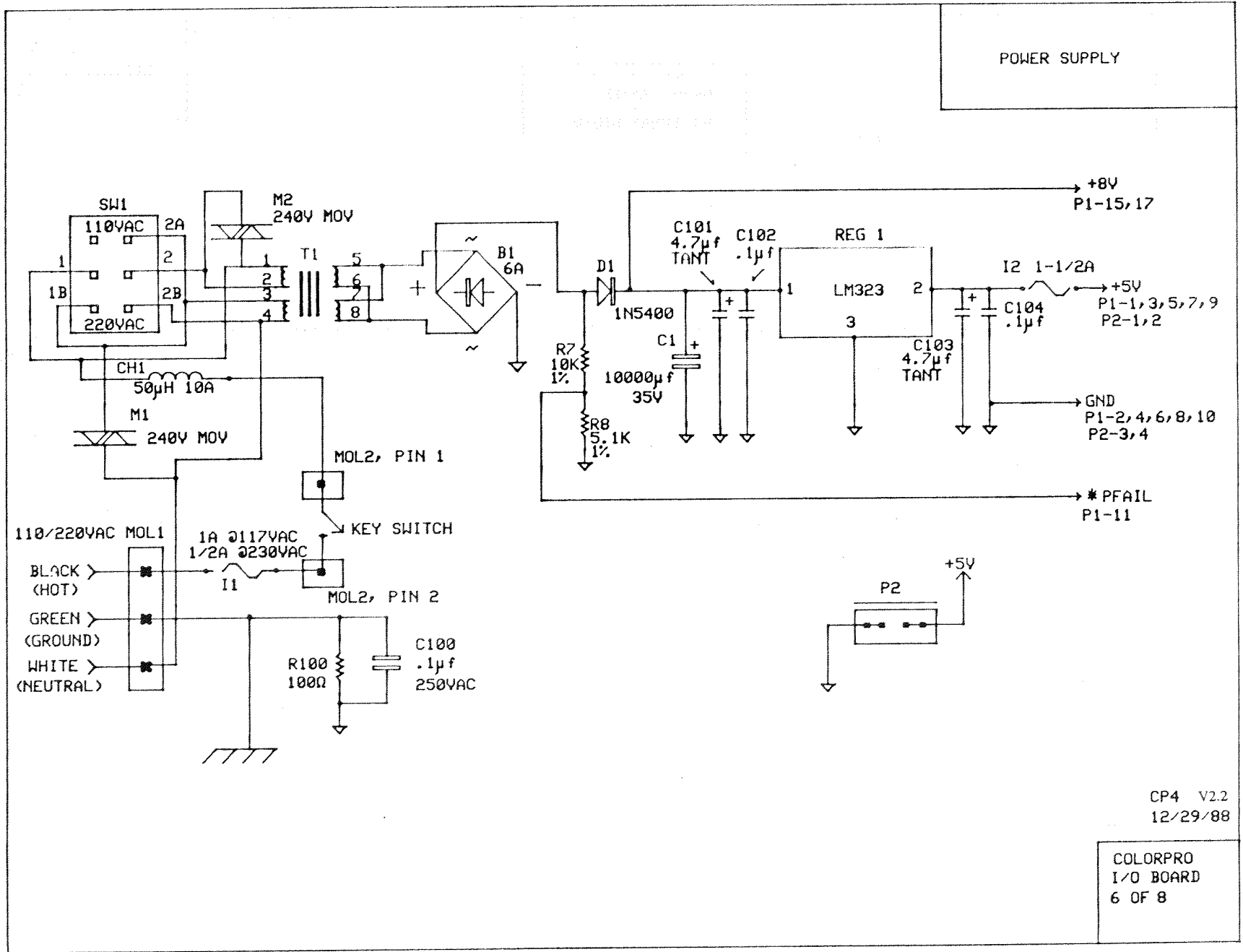
U6, U7 LM339
ALL DIODES 1N4148



CP4 V2.2
6/21/98

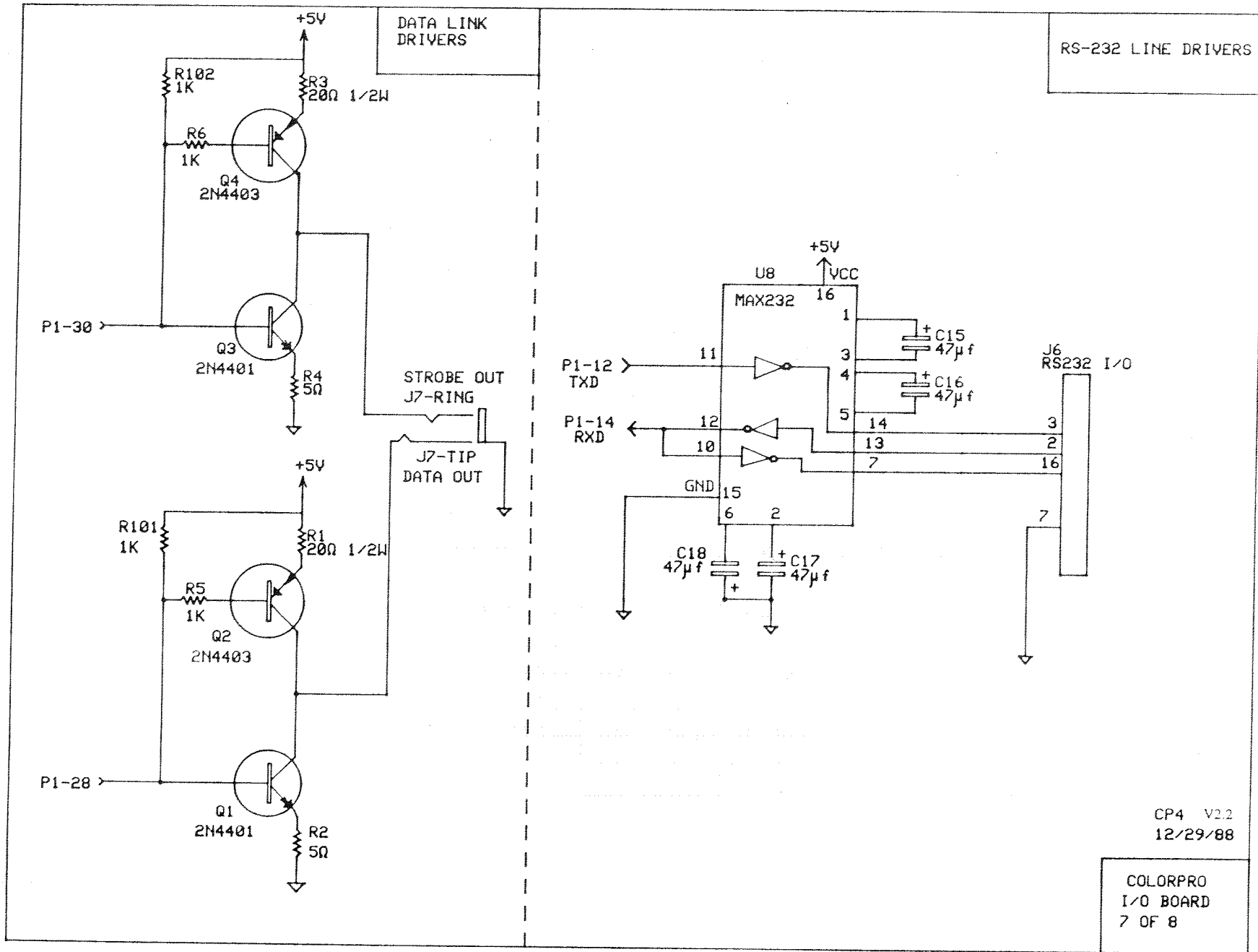
COLORPRO
I/O BOARD
5 OF 8

POWER SUPPLY



CP4 V2.2
12/29/88

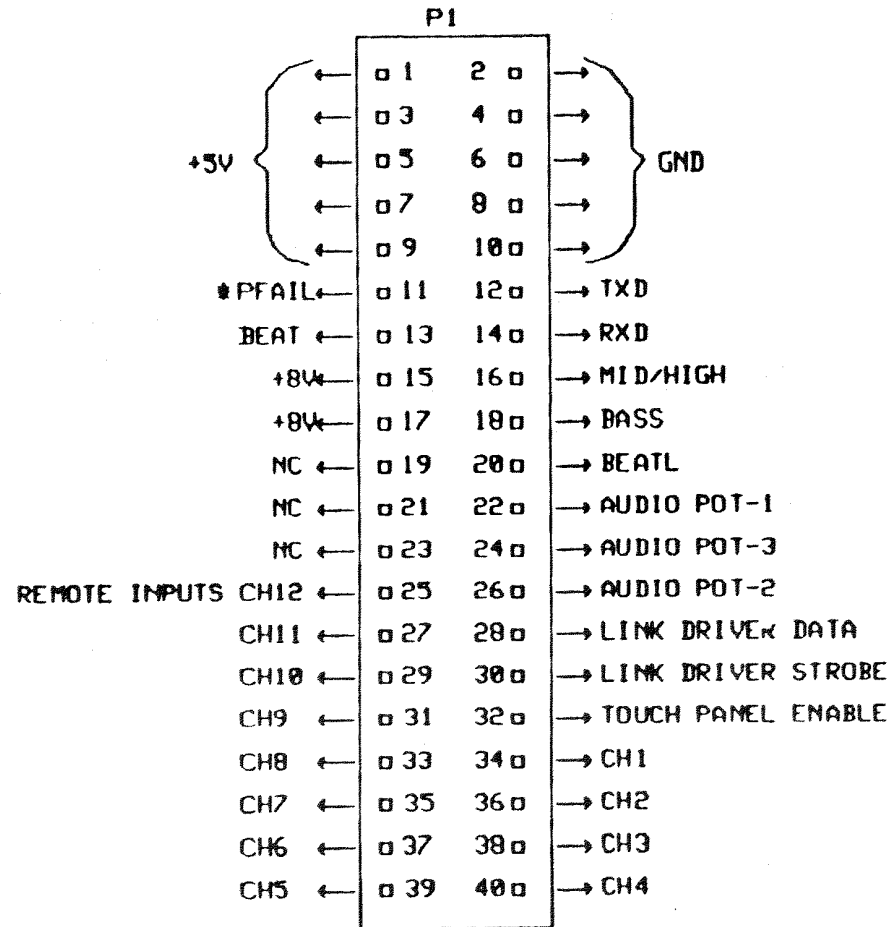
COLORPRO
I/O BOARD
6 OF 8



CP4 V2.2
12/29/88

COLORPRO
I/O BOARD
7 OF 8

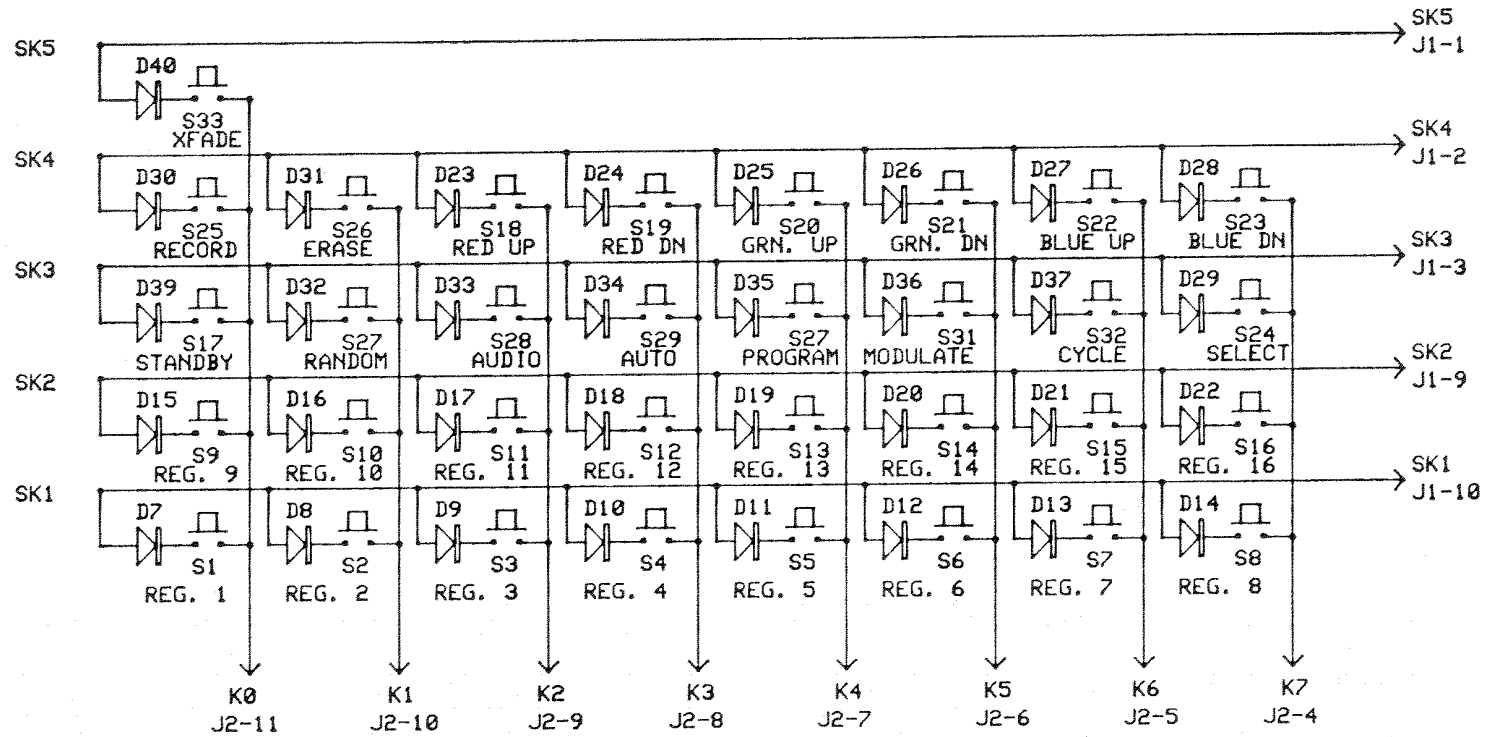
I/O BOARD INTERCONNECT PINOUT



COLORPRO CP4
I/O BOARD
8 OF 8
5/23/88

SWITCH MATRIX

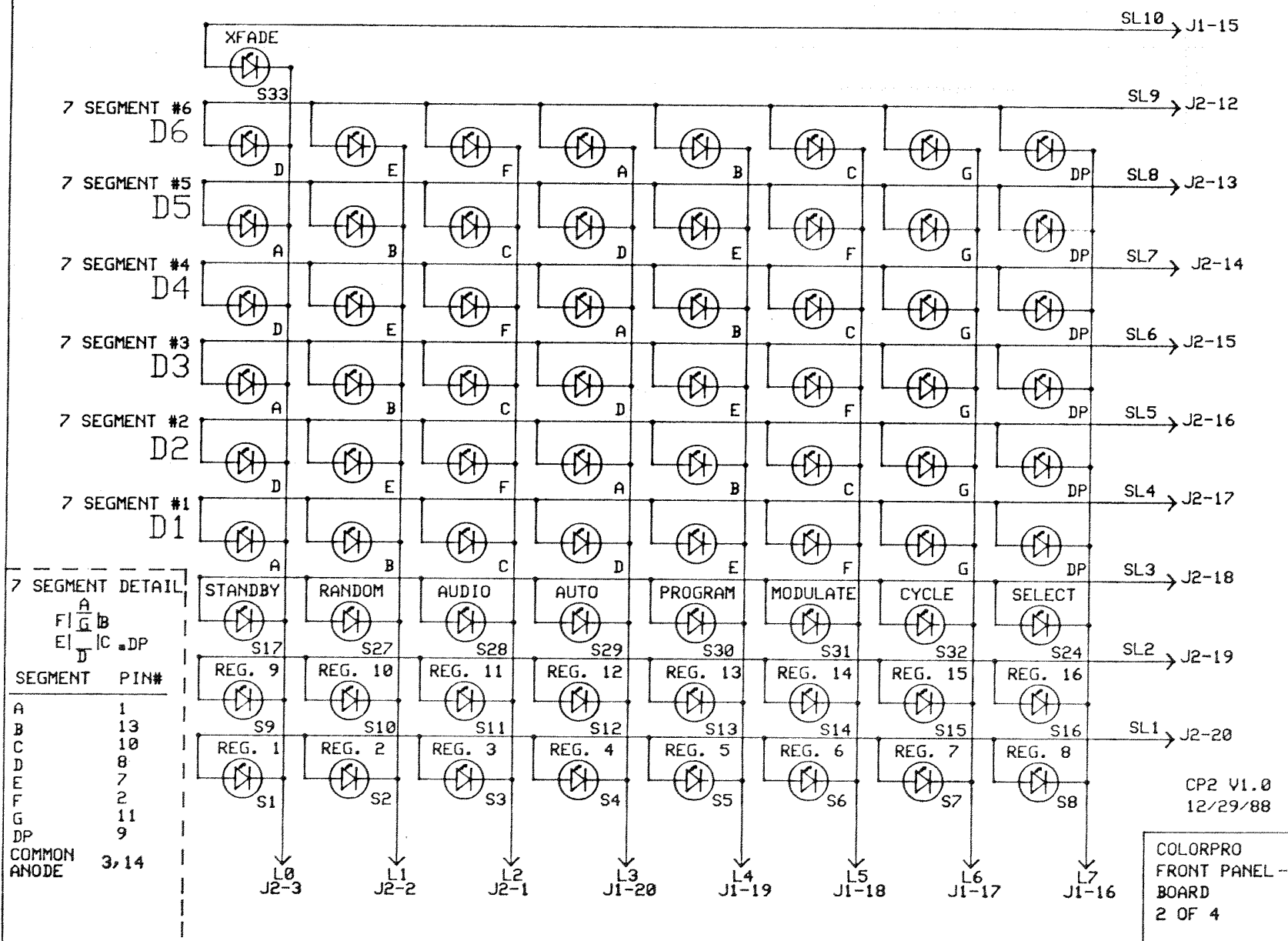
ALL DIODES 1N4148



CP2 V1.0
12/29/88

COLORPRO
FRONT PANEL BOARD
1 OF 4

LED MATRIX

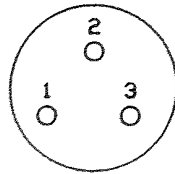


7 SEGMENT DETAIL

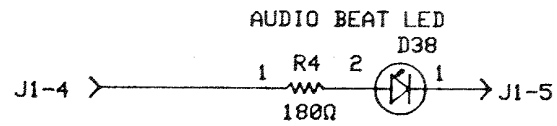
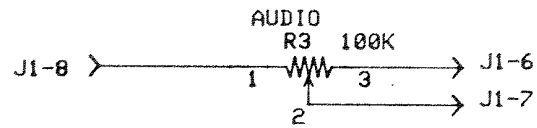
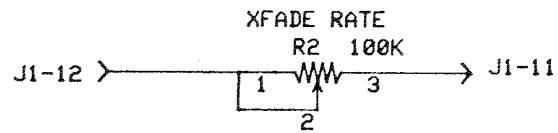
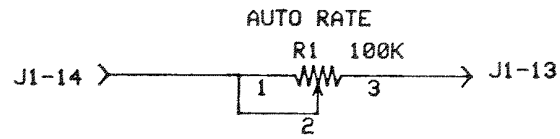
A	1
B	13
C	10
D	8
E	7
F	2
G	11
DP	9
COMMON ANODE	3, 14

CP2 V1.0
12/29/88
COLORPRO
FRONT PANEL -
BOARD
2 OF 4

FRONT PANEL POTENTIOMETERS



COMPONENT SIDE
R1-R3



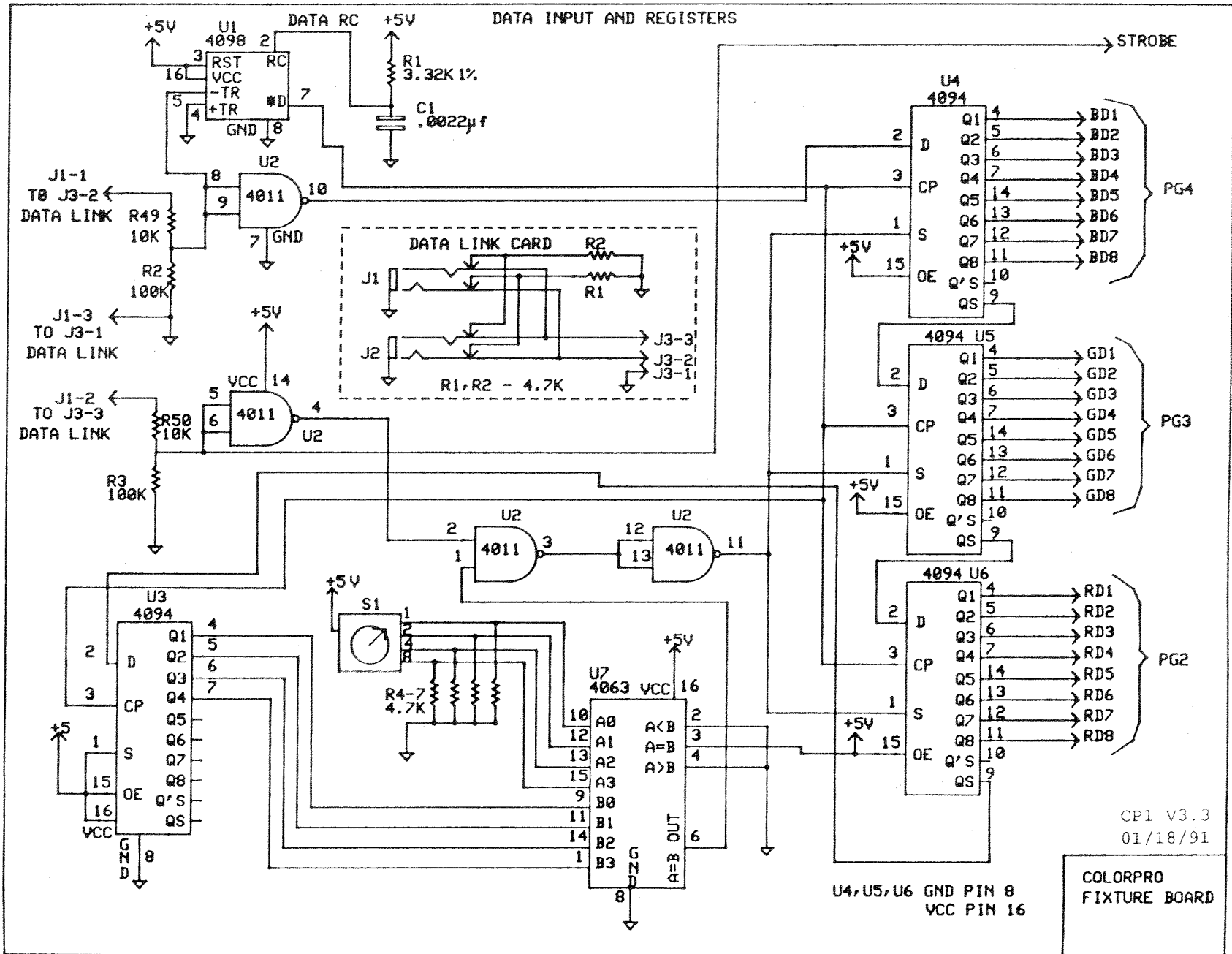
CP2 V1.0
12/29/88

COLORPRO
FRONT PANEL BOARD
3 OF 4

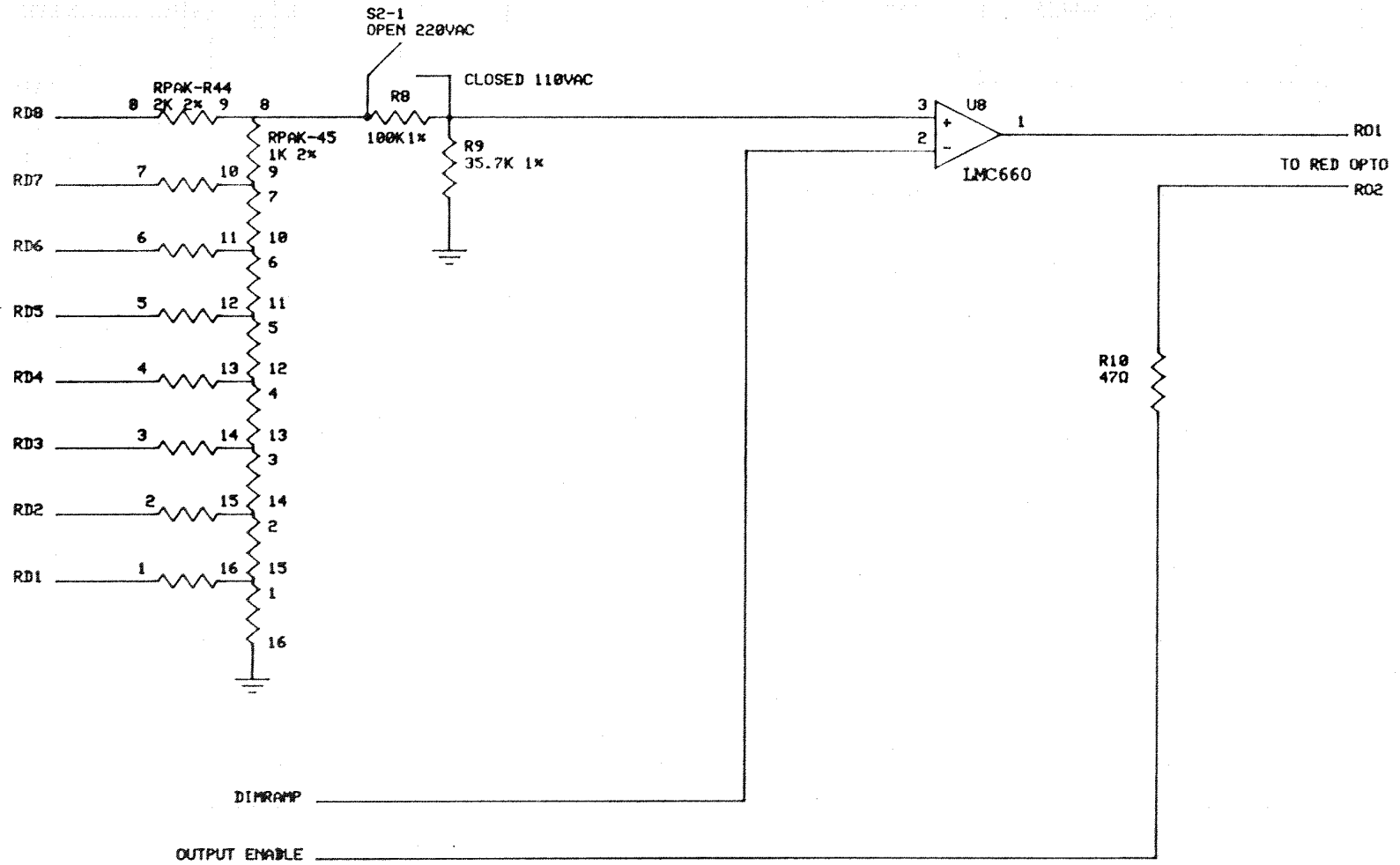
FRONT PANEL INTERCONNECT PINOUT

<u>J1</u>	<u>J2</u>
1-SK5	1-L2
2-SK4	2-L1
3-SK3	3-L0
4-R4, 1	4-K7
5-D38, 1	5-K6
6-R3, 3	6-K5
7-R3, 2	7-K4
8-R3, 1	8-K3
9-SK2	9-K2
10-SK1	10-K1
11-R2, 2	11-K0
12-R2, 1	12-SL9
13-R1, 2	13-SL8
14-R1, 1	14-SL7
15-SL10	15-SL6
16-L7	16-SL5
17-L6	17-SL4
18-L5	18-SL3
19-L4	19-SL2
20-L3	20-SL1

COLORPRO
FRONT PANEL BOARD
4 OF 4
5/31/88

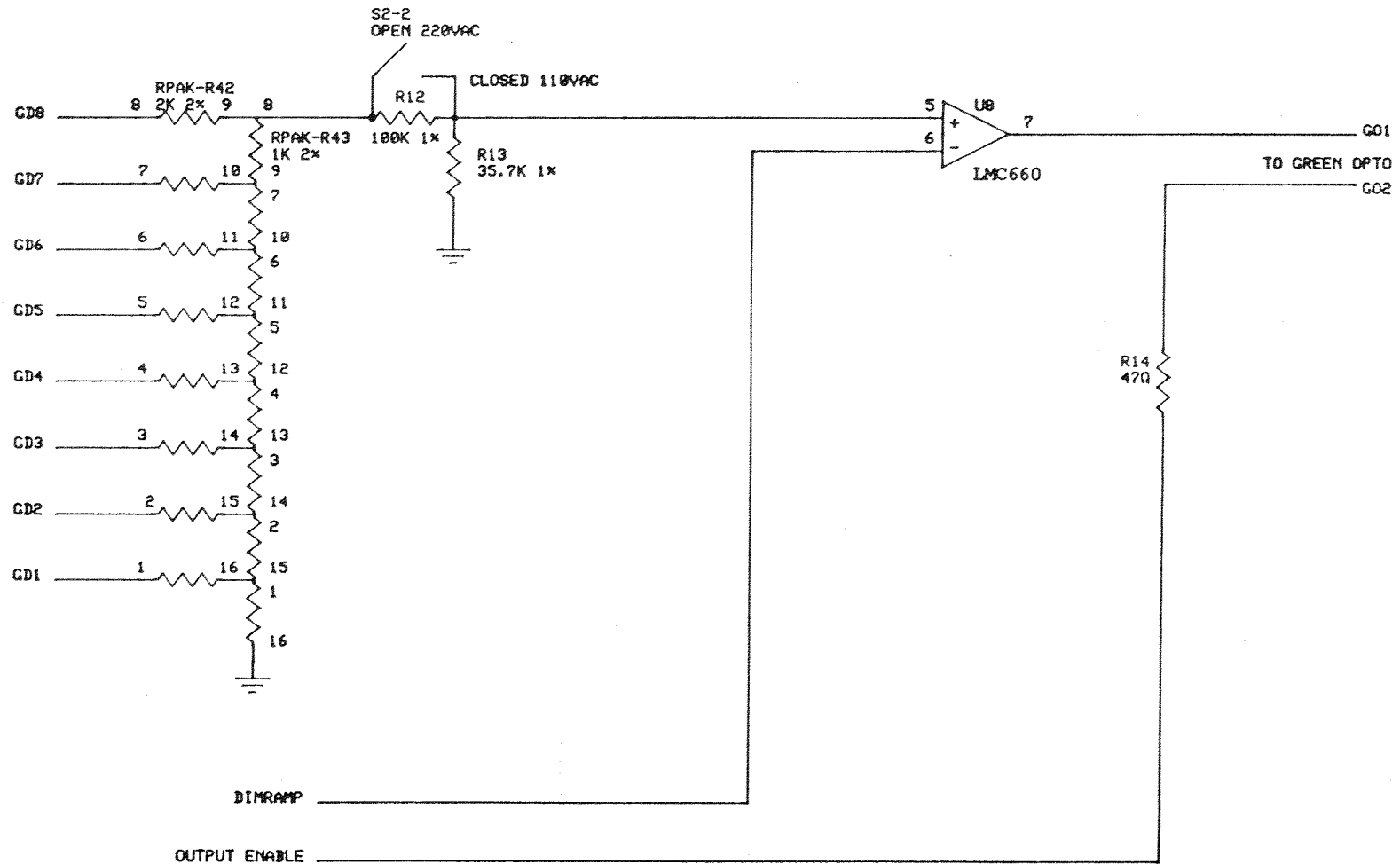


D/A CONVERSION FOR RED



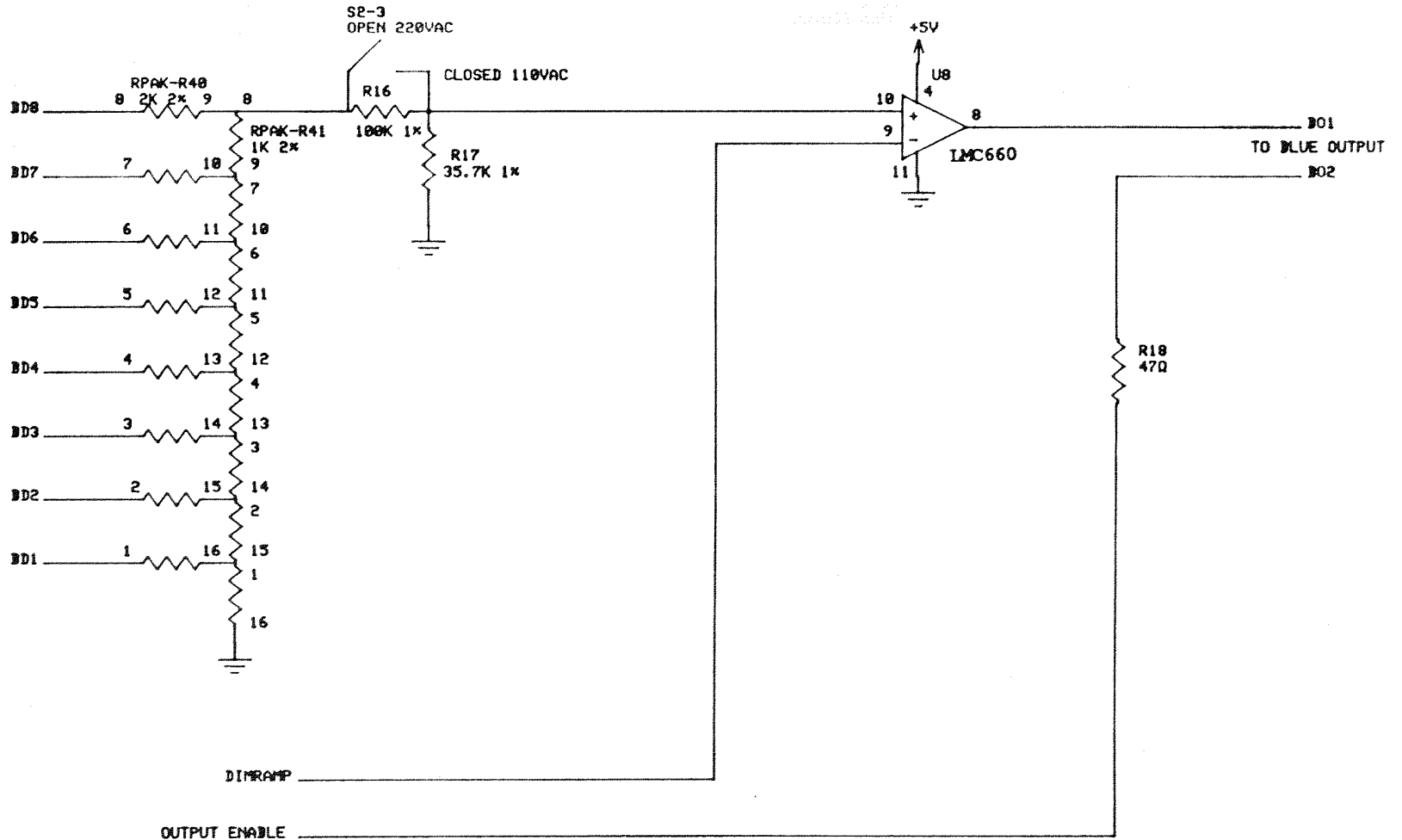
COLORPRO
FIXTURE BOARD
VER 3.3
01/18/91

D/A CONVERSION FOR GREEN



COLORPRO
FIXTURE BOARD
VER 3.3
01/18/91

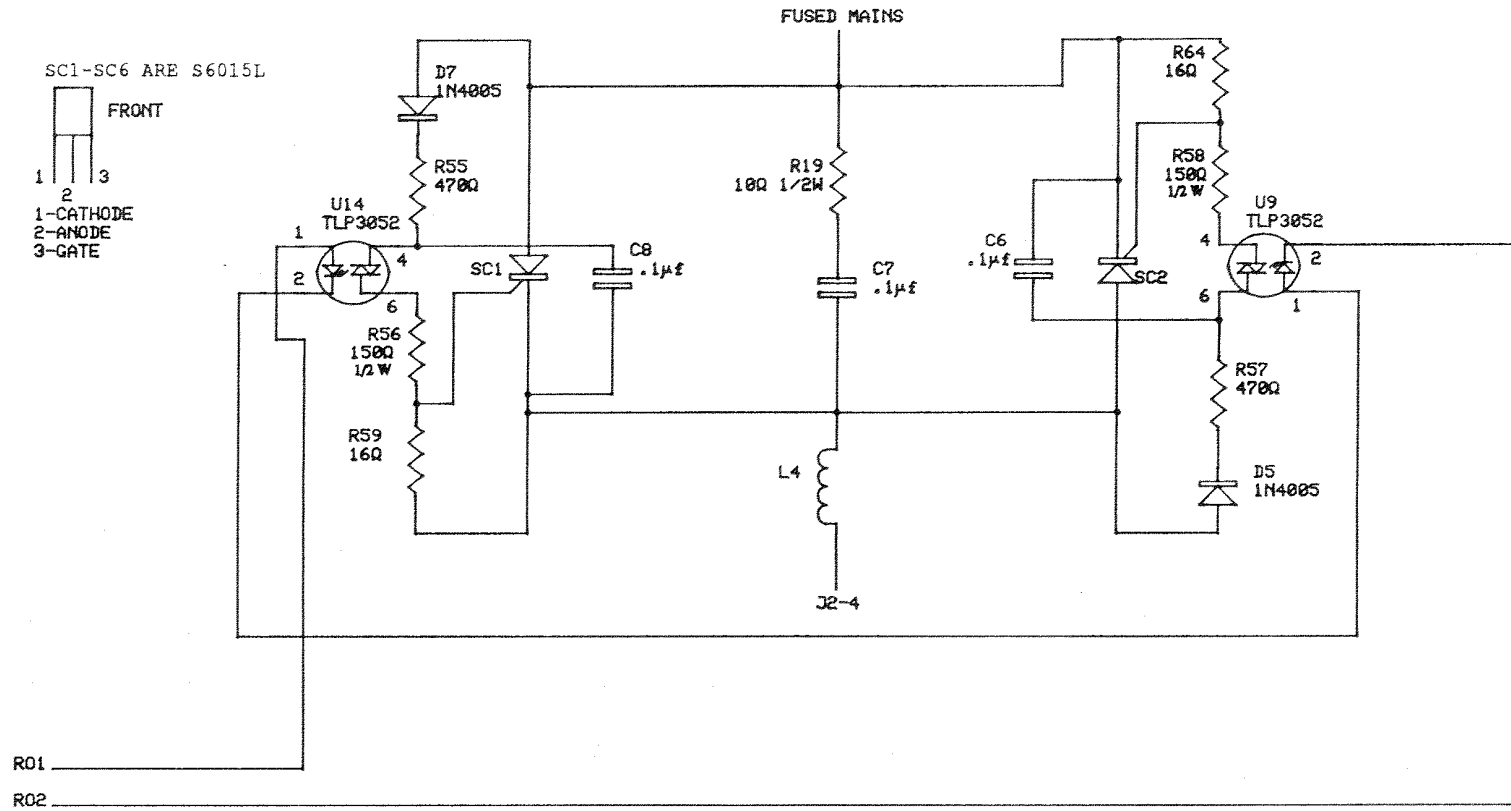
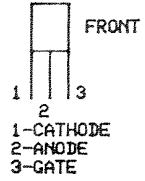
D/A CONVERSION FOR BLUE



COLORPRO
 FIXTURE BOARD
 VER 3.3
 01/18/91

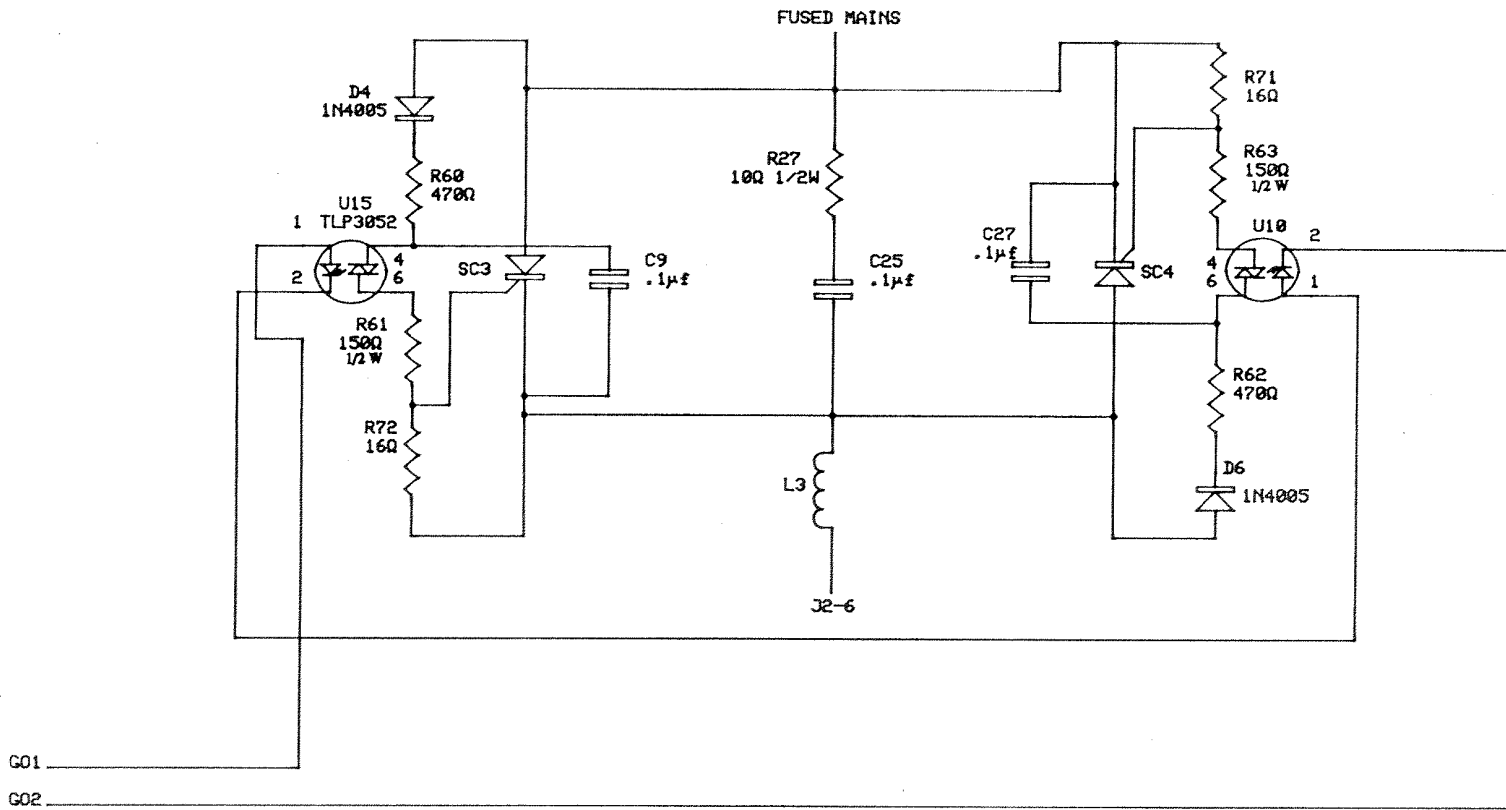
RED OUTPUT

SC1-SC6 ARE S6015L



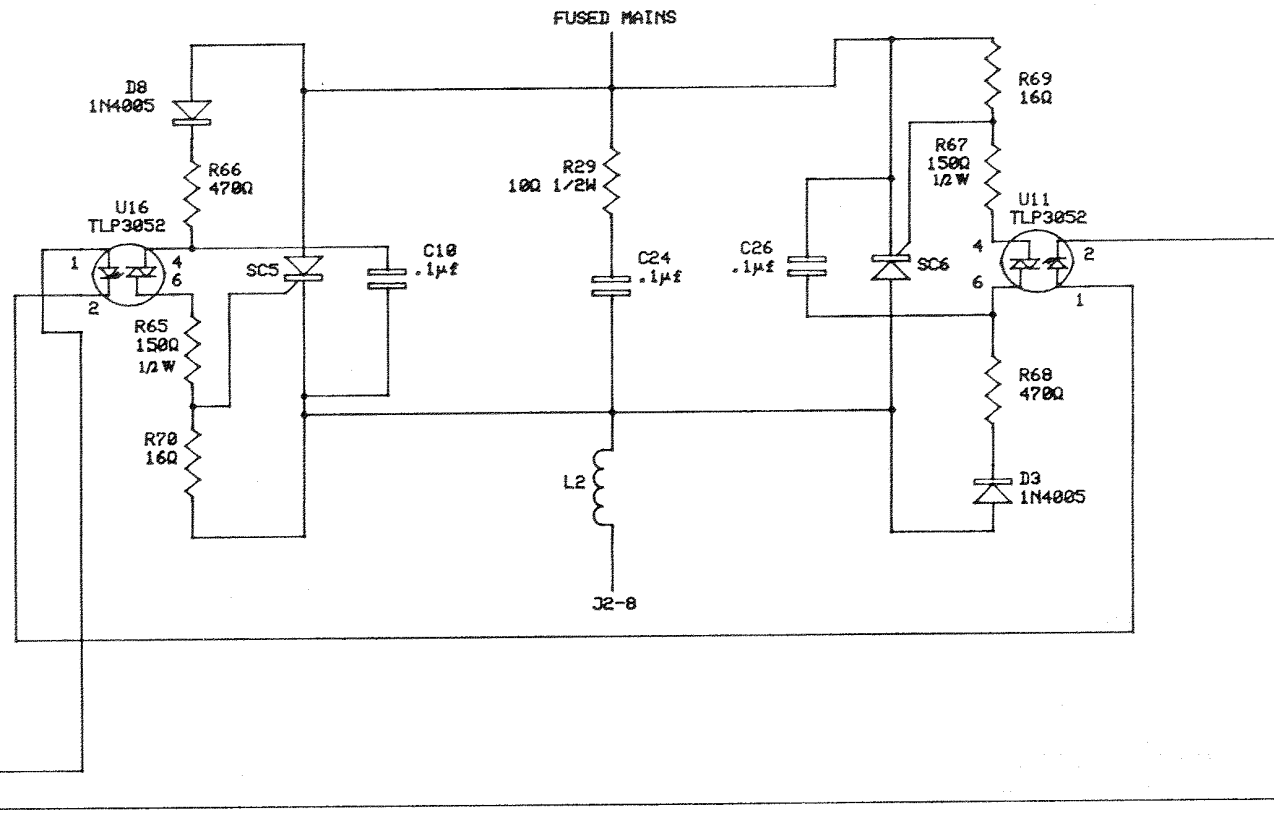
COLORPRO
FIXTURE BOARD
VER 3.3
1/17/91

GREEN OUTPUT



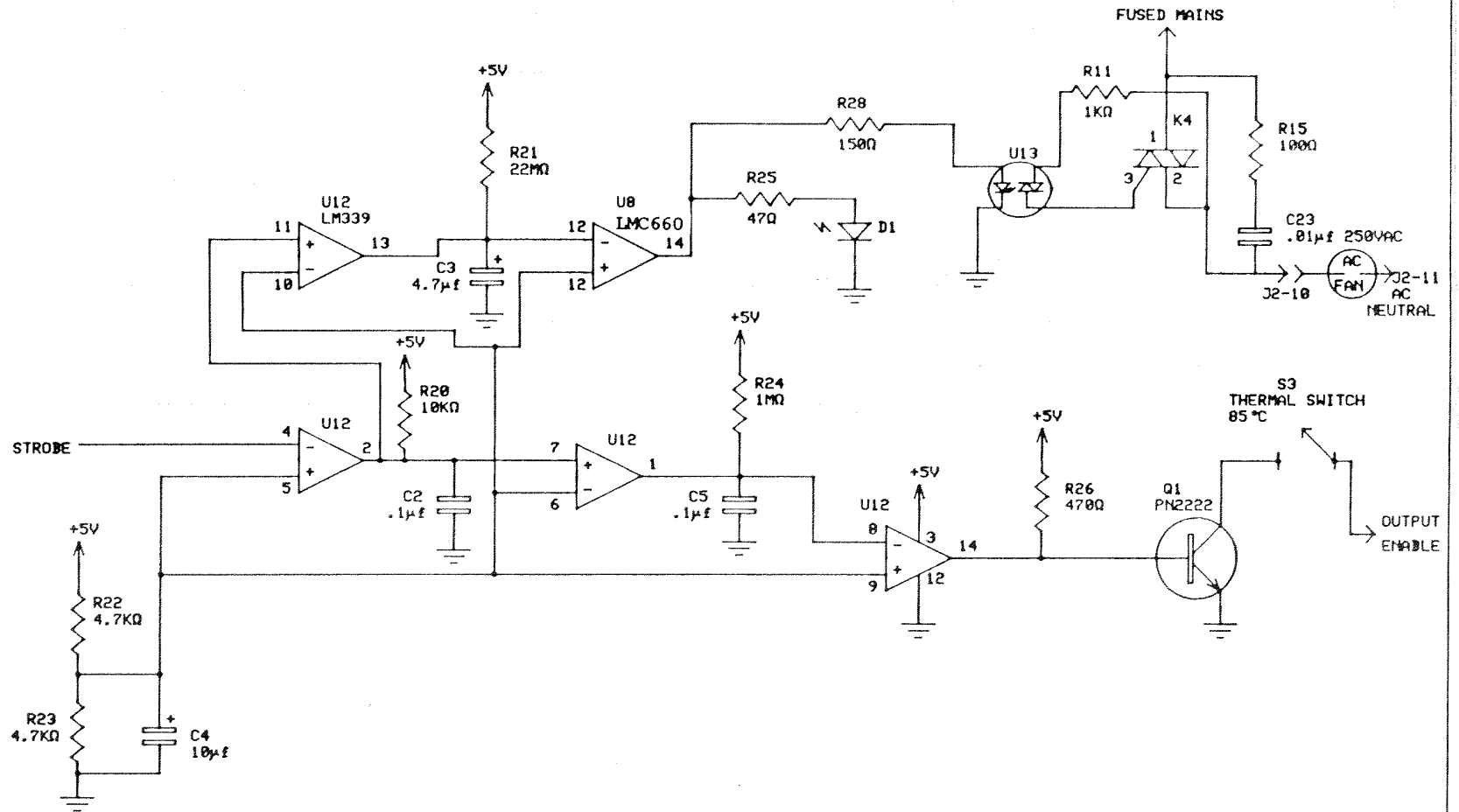
COLORPRO
FIXTURE BOARD
VER 3.3
1/17/91

BLUE OUTPUT



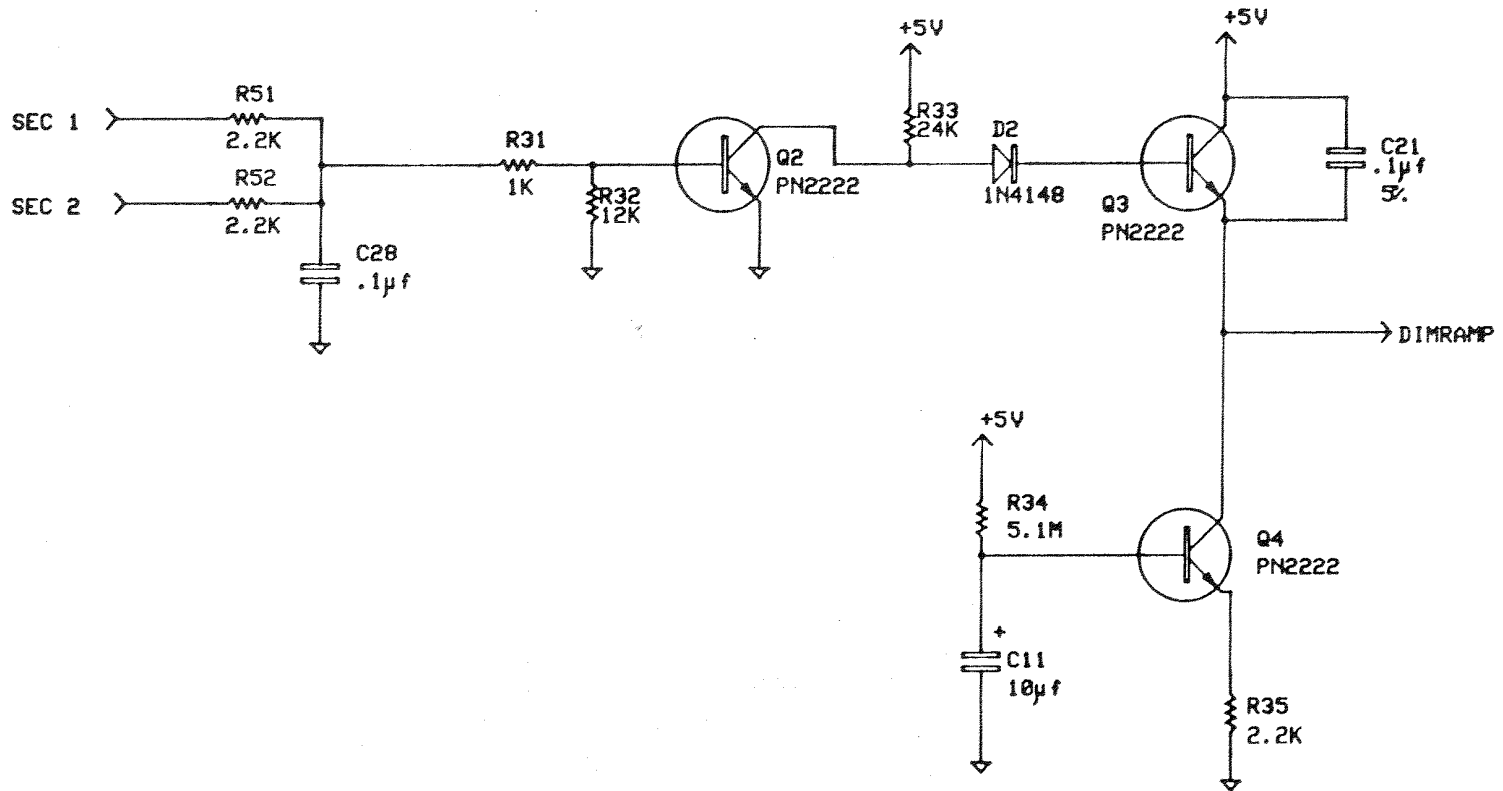
COLORPRO
FIXTURE BOARD
VER. 3.3
1/17/91

LAMP ENABLE AND FAN TIMER



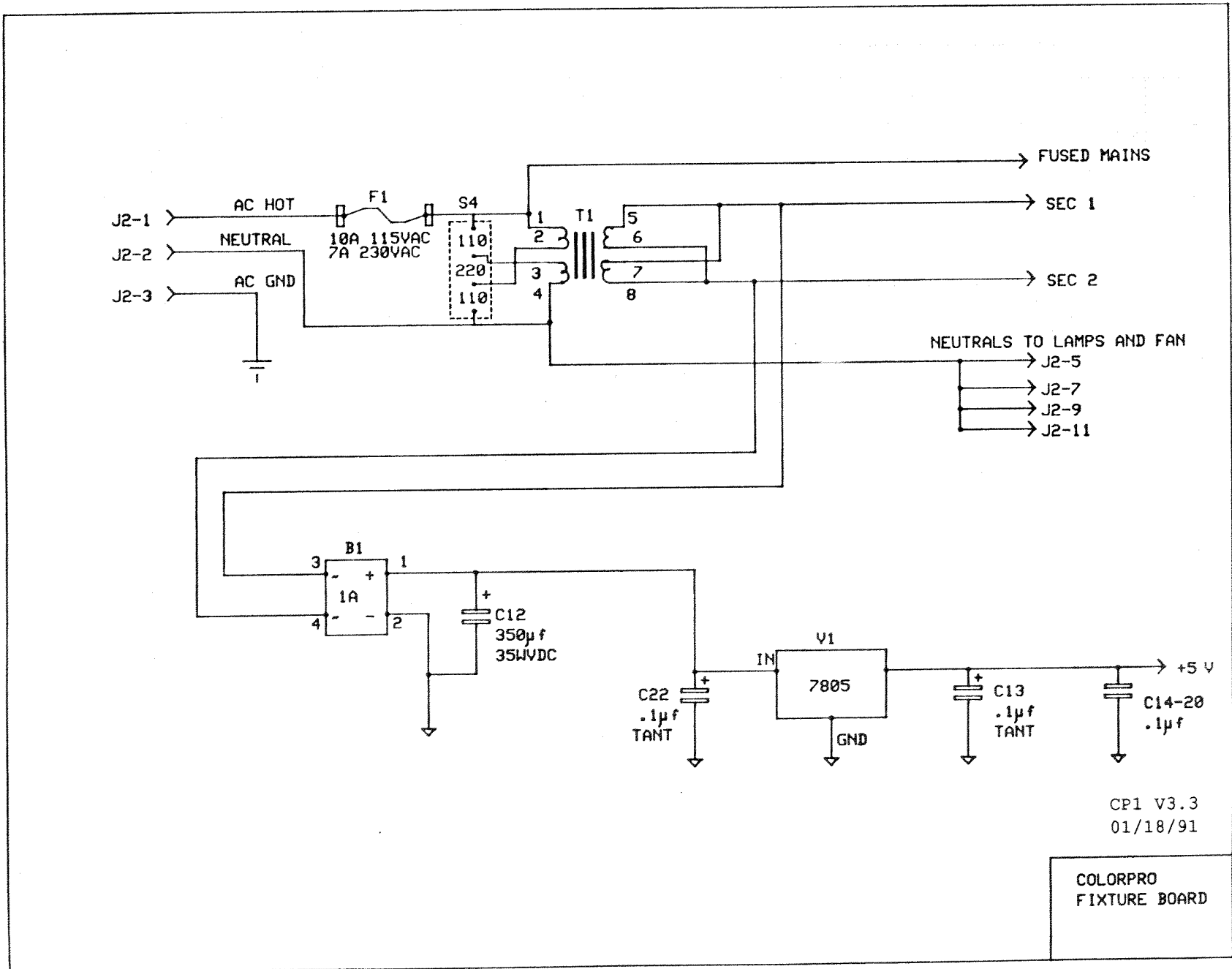
COLORPRO
FIXTURE BOARD
VER 3.3
01/18/91

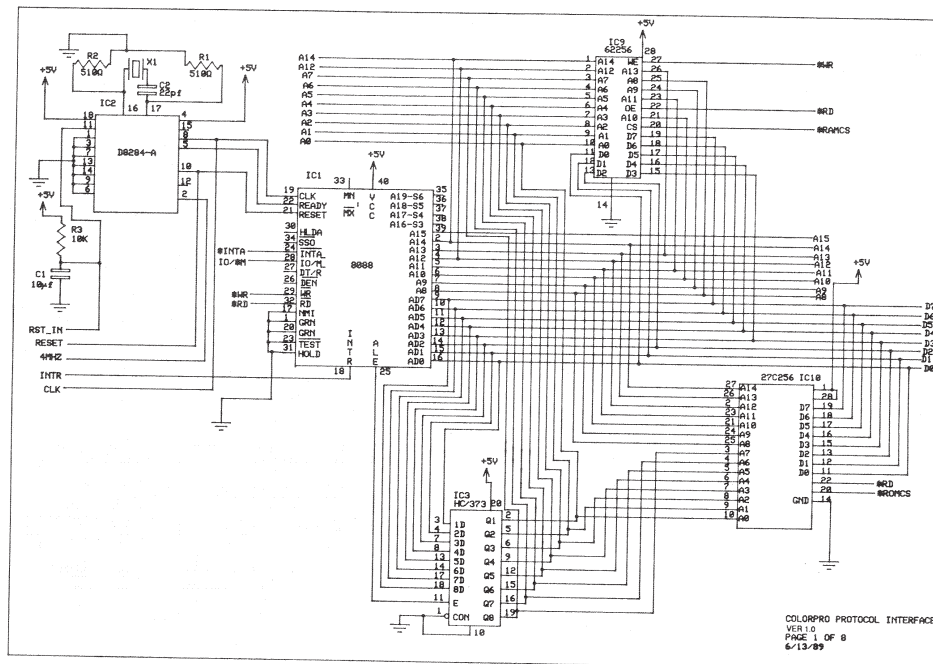
DIMMING RAMP GENERATOR

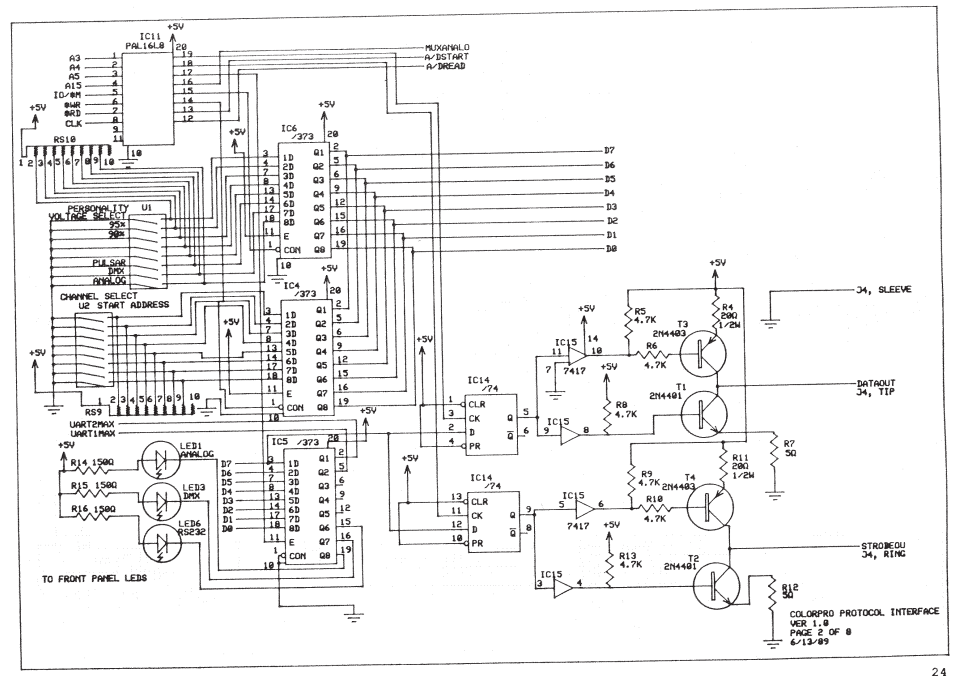


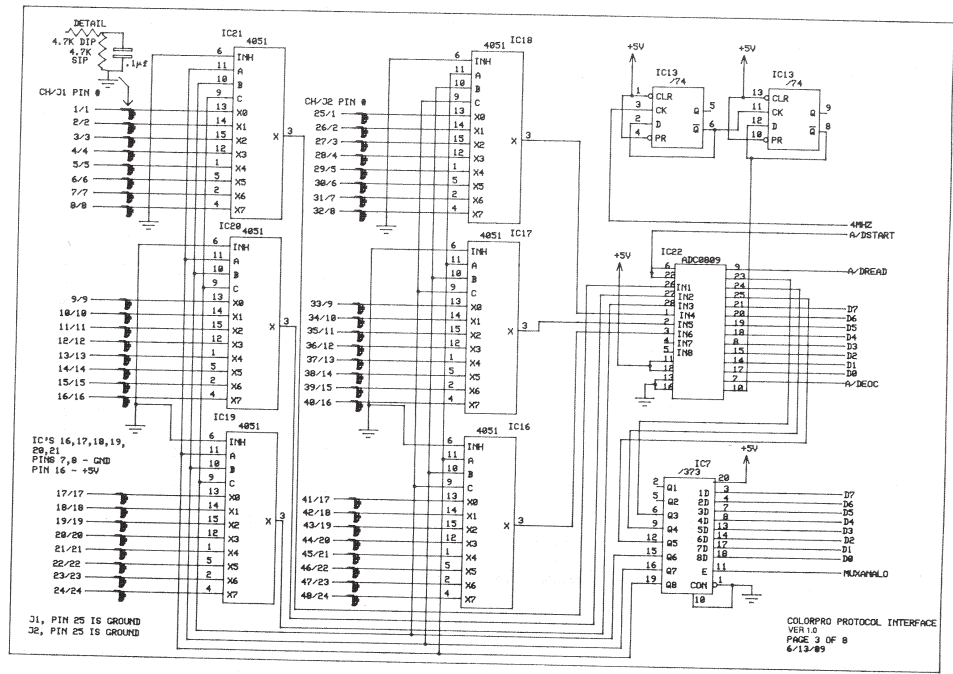
CP1 V3.3
01/18/91

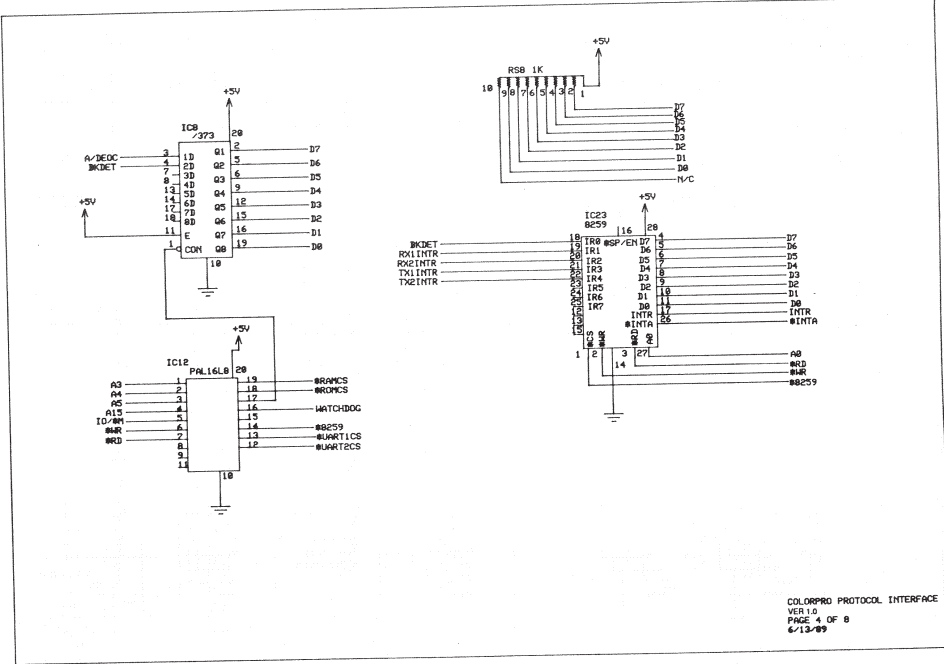
COLORPRO
FIXTURE BOARD



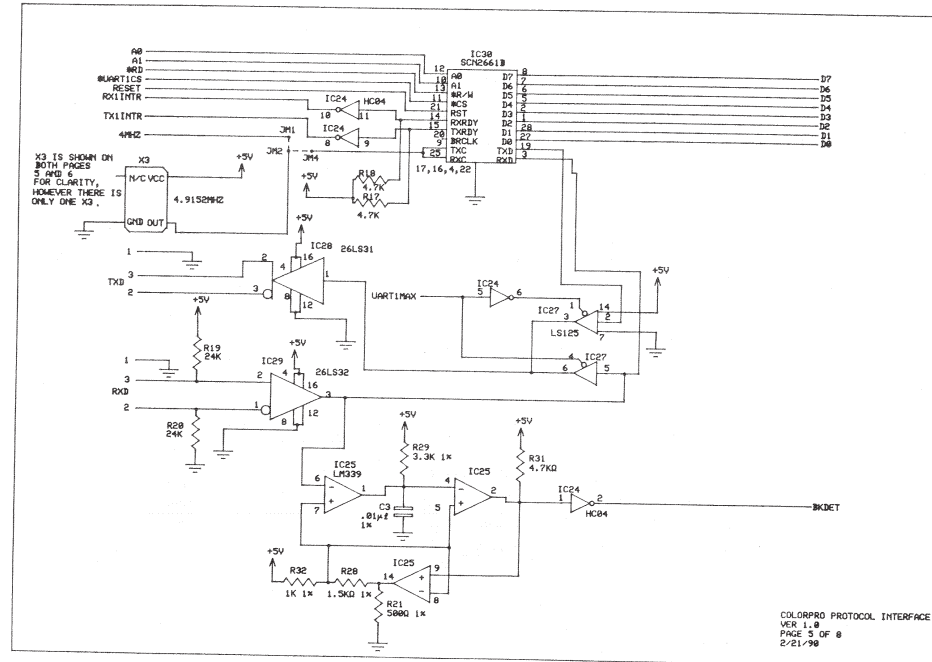


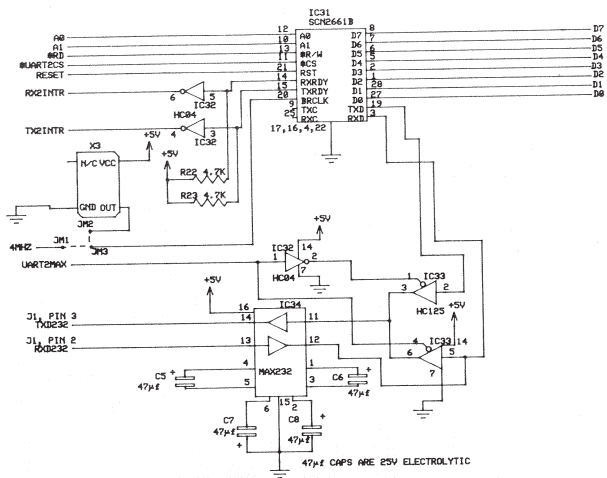




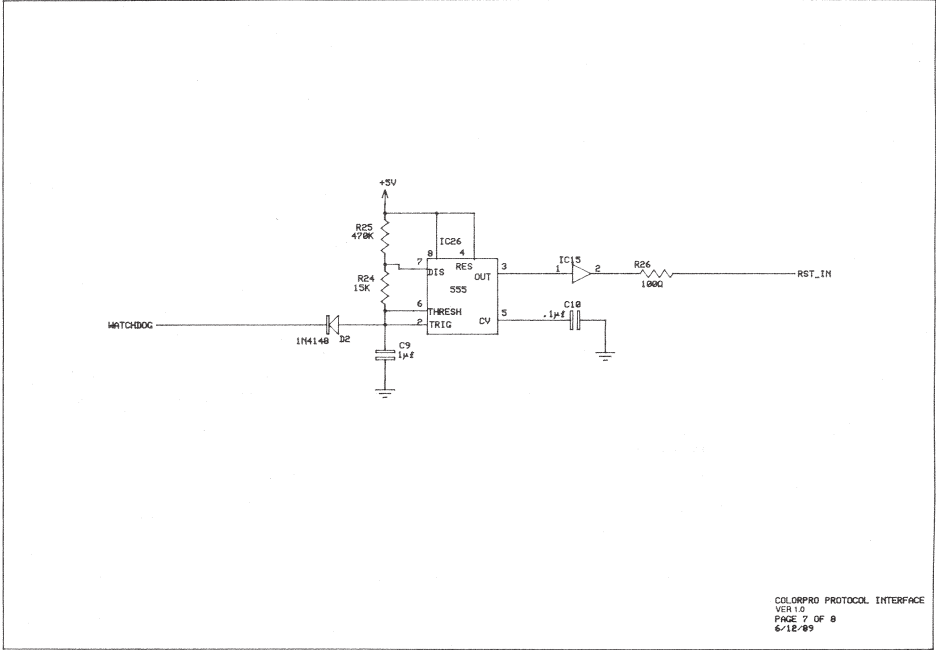


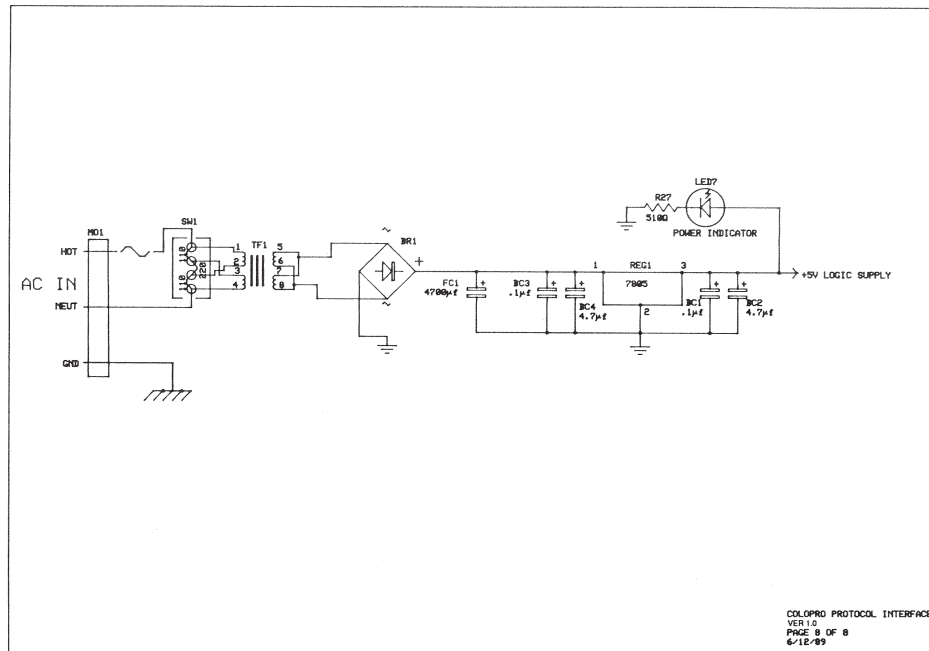
COLORPRO PROTOCOL INTERFACE
 VER 1.0
 PAGE 4 OF 8
 6/13/89

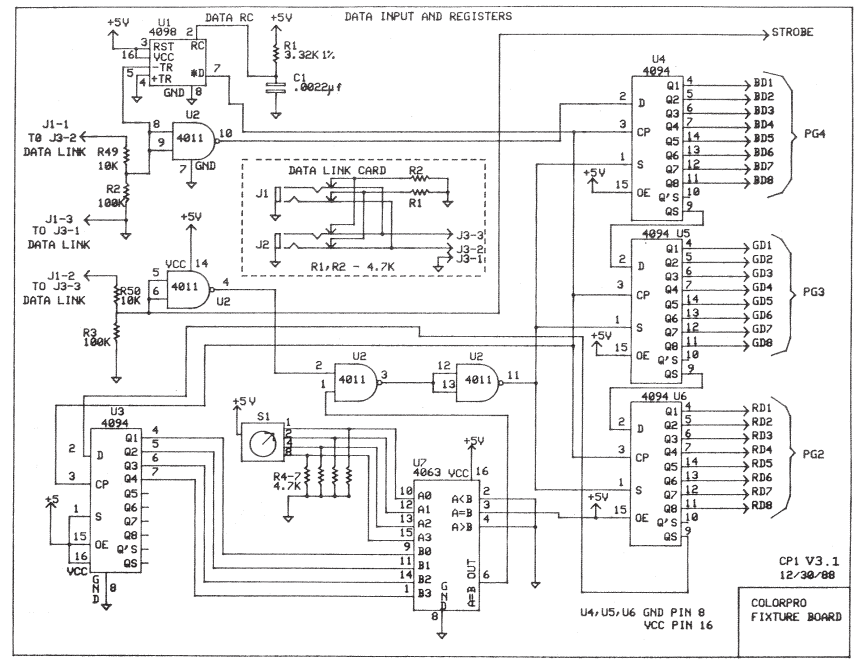


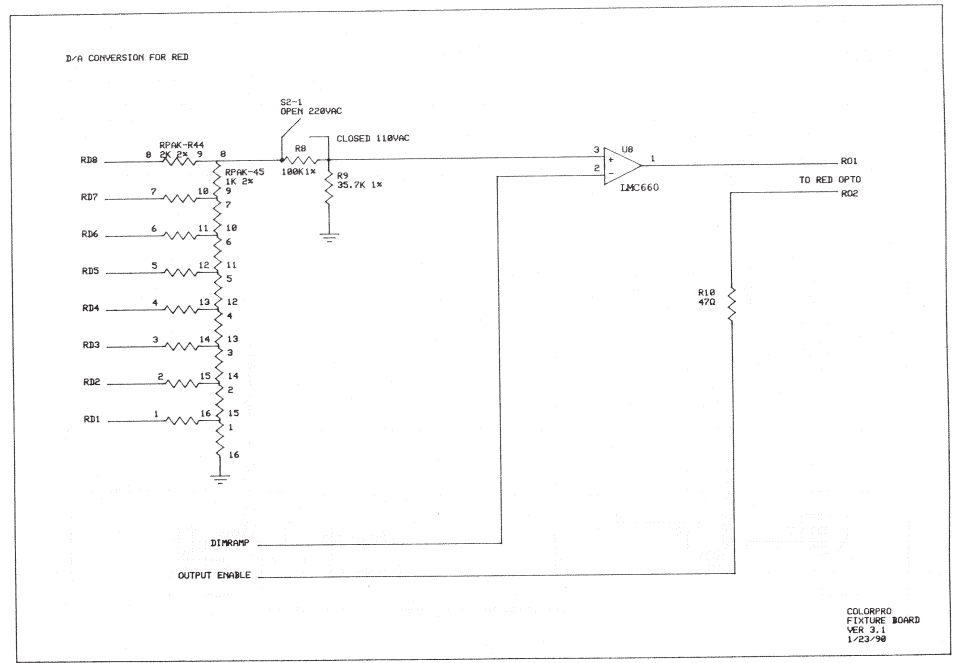


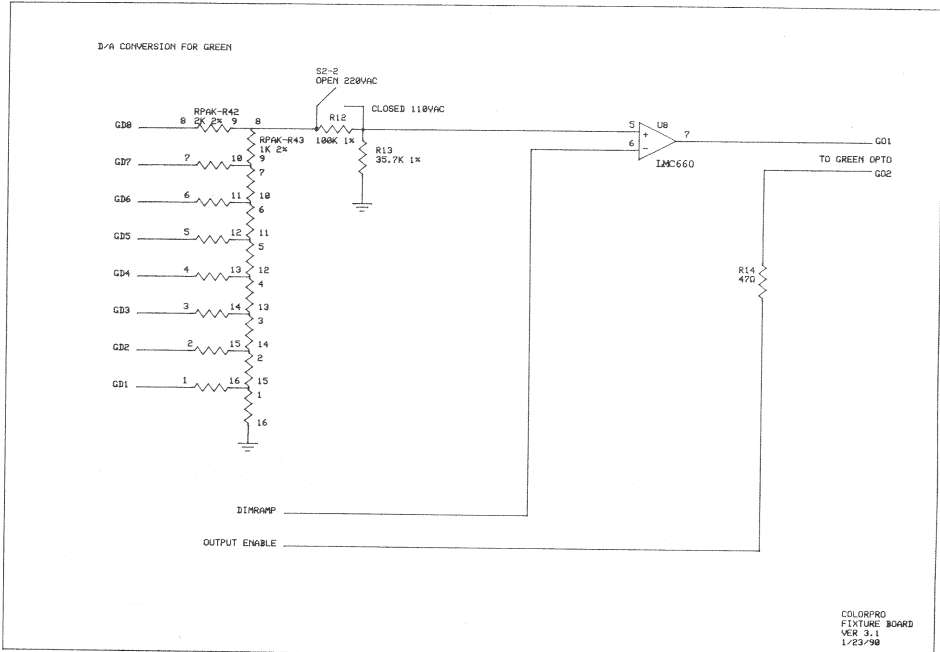
COLORPRO PROTOCOL INTERFACE
 VER 1.0
 PAGE 6 OF 8
 6/12/89



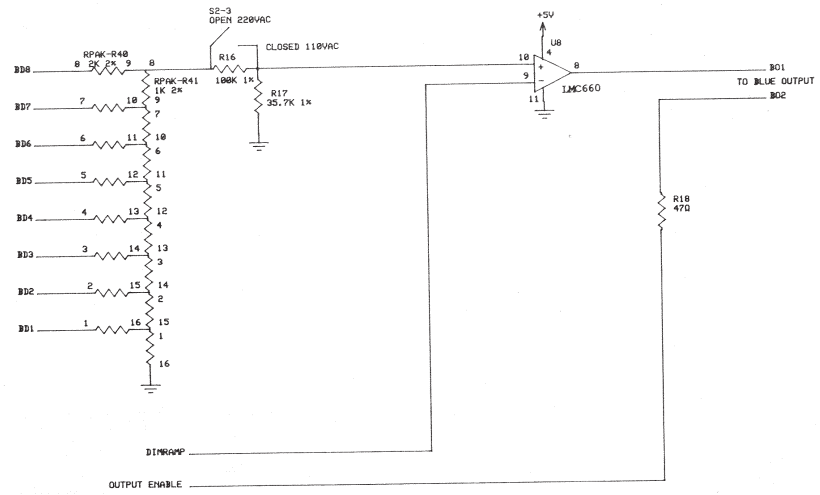




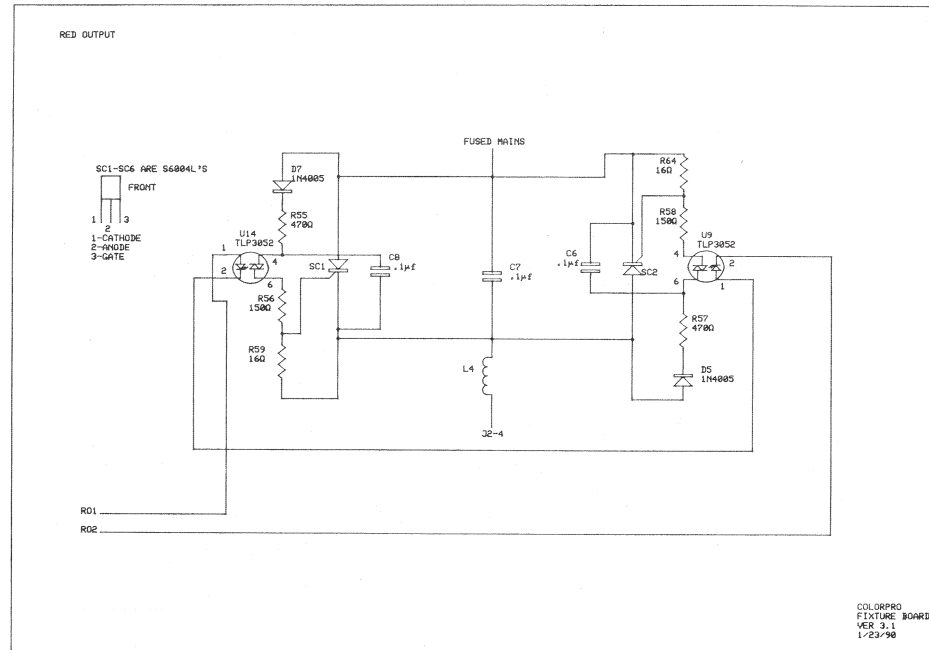


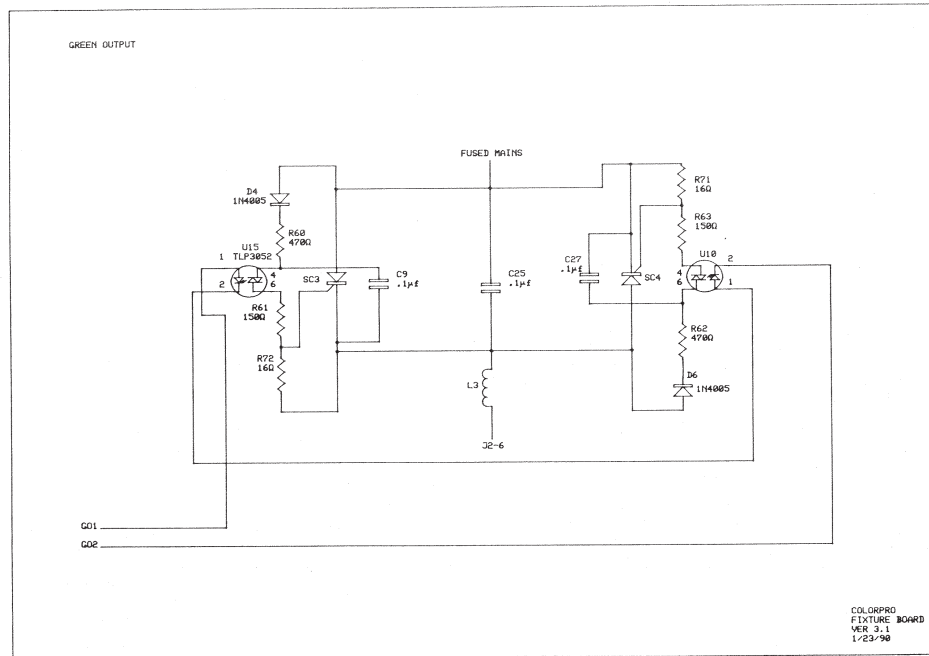


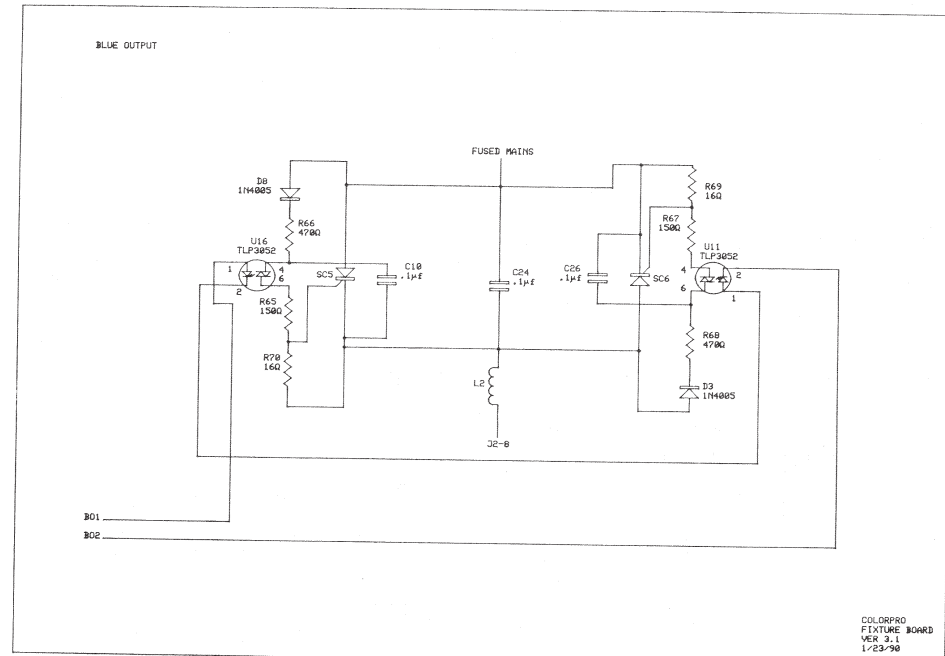
D/A CONVERSION FOR BLUE



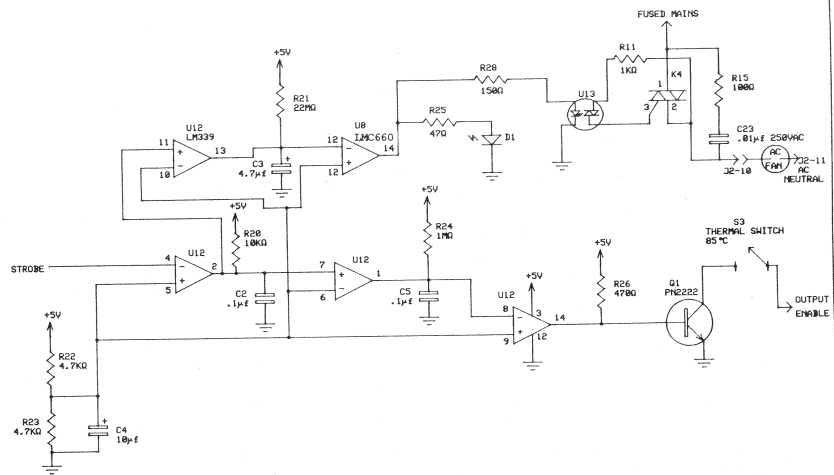
COLORPRO
 FIXTURE BOARD
 VER 3.1
 1/23/98







LAMP ENABLE AND FAN TIMER



COLOPRO
FIXTURE BOARD
VER. 3.1
2/21/90

